



ROLLER SHUTTER PARTS CATALOGUE



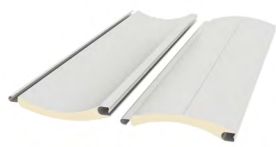
Attention!

The manufacturer has the right to make any changes to components, ready roller shutters constructions without notifying the buyer. Catalog is not a technical documentation. The winding parameters of roller shutter profiles is theoretical.

CONTENTS

- INTRODUCTION 4
- 1. FOAM-FILLED ROLLER SHUTTER PROFILES 6
- 2. EXTRUDED ROLLER SHUTTER PROFILES 12
- 3. END PROFILES 17
- 4. GUIDE RAILS 23
- 5. SHUTTER BOXES 26
- 6. END CAPS 35
- 7. SEALS AND BRUSH STRIPS 42
- 8. ACCESSORIES 45

FOAM-FILLED ROLLER SHUTTER PROFILES



RH39N



RH45N



RH58N



RH77M

Roll-formed profiles are made with foam so have high energy-saving properties. Usually they are used in roller shutters and roller shutters doors, designed for installation in a medium size openings. Foam-filled profiles can be made with perforation.

Recommended sizes	Types of profiles
Roller shutter	
Width — from 500 to 3500 mm; height — from 500 to 4500 mm	RH39N or RH39PN — profile solid or perforated with foam filler
	RH45N or RH45PN — profile solid or perforated with foam filler
	RH58N or RH58PN — profile solid or perforated with foam filler
	RH77M — profile with foam filler
Roller shutters gate	
Width — from 2000 to 5000 mm; height — from 1000 to 4500 mm	RHT77M — profile with a solid foam filler

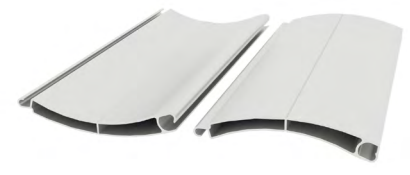
EXTRUDED PROFILES



RHE56M



RHE56GM



RHE58M

Extruded aluminum profiles have high strength, stiffness and resistance to mechanical damage and provide additional protection against burglary, because they have larger wall thickness than the other profiles. They are intended for roller shutters installed on the large window openings, and for roller shutters doors. Single wall extruded profiles can be latticed.

Recommended sizes	Types of profiles
Roller shutter	
Width — from 500 to 5000 mm; height — from 1000 to 4500 mm	RHE45M — double-walled extruded profile
	RHE56M — single wall extruded profile
	RHE56GM — lattice extruded profile
	RHE58M — double-walled extruded profile
Roller shutters gate	
Width — from 2000 to 5500 mm; height — from 1000 to 5000 mm	RHE84M — single wall extruded profile
	RHE84GM — lattice extruded profile
	RHE78G — lattice extruded profile

STANDARD COLORS



White



Brown



Beige



Green



Blue



Claret



Silver



Gray



Unpainted
(galvanized)



Dark walnut



Golden oak

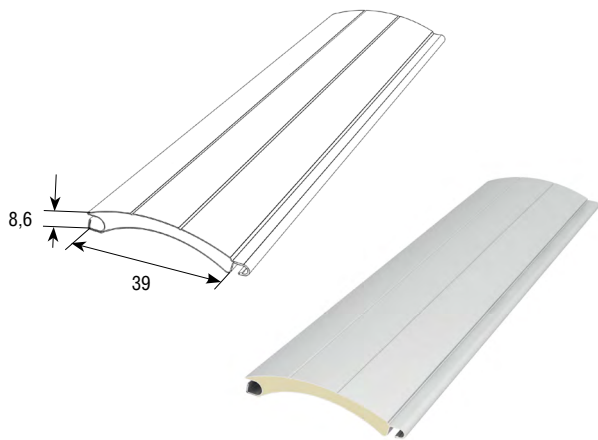


During printing the colors may be distorted, use the original RAL-card.

FOAM-FILLED ROLLER SHUTTER PROFILES

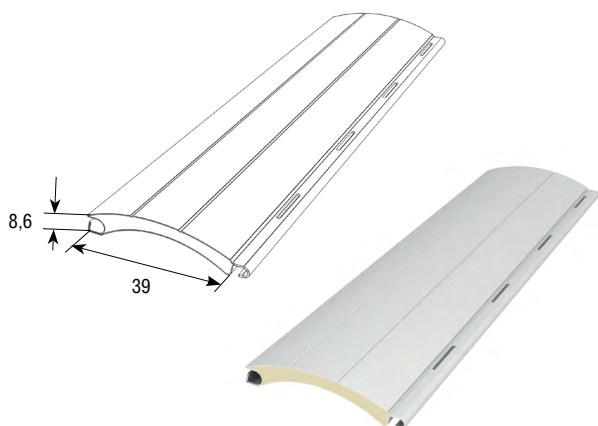
FOAM-FILLER PROFILES 39 MM

PROFILE WITH FOAM RH39N



▶ Material: aluminium, foam		RH39N01 — white
▶ Weight per 1 running m, kg	0.075	RH39N02 — brown
▶ Weight per 1 m ² , kg	1.95	RH39N03 — grey
▶ Density of foam, kg/m ³	70.00	RH39N04 — beige
▶ Number of slats per 1 m of curtain height	26.00	RH39N08 — silver
▶ Max curtain width, m	3.05	
▶ Max curtain surface area, m ²	7.00	
▶ Standard length, m	6.00	
▶ Standard pack, m	240.00	

PERFORATED PROFILE WITH FOAM RH39PN



▶ Material: aluminium, foam		RH39PN01 — white
▶ Weight per 1 running m, kg	0.075	RH39PN02 — brown
▶ Weight per 1 m ² , kg	1.95	RH39PN03 — grey
▶ Density of foam, kg/m ³	70.00	RH39PN04 — beige
▶ Number of slats per 1 m of curtain height	26.00	RH39PN08 — silver
▶ Max curtain width, m	3.05	
▶ Max curtain surface area, m ²	7.00	
▶ Standard length, m	6.00	
▶ Standard pack, m	240.00	

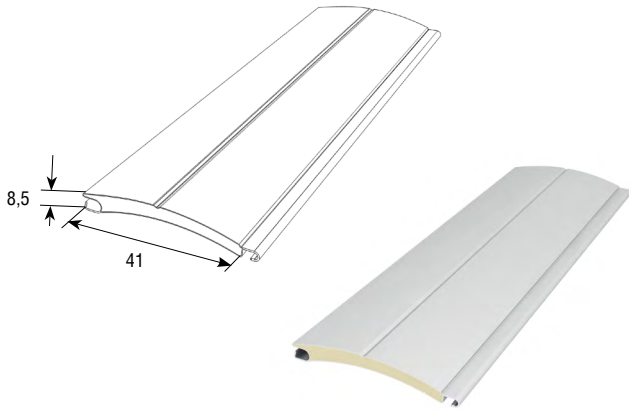
RH39N, RH39PN WINDING PARAMETERS

Shaft No.	Components used	Shutter box No.					
		RB137	RB150	RB165	RB180	RB205	RB250
RV40	Security springs + KD40	22	48	60	73	102	120
		858	1872	2340	2847	3978	4680
	RM1 + RD40	22	30	41	52	74	120
		858	1170	1599	2028	2886	4680
RV60	Security springs + KD60	22	44	56	69	98	120
		858	1716	2184	2691	3822	4680
	Blocking hanger	22	35	47	59	83	120
		858	1365	1833	2301	3237	4680
	RM1 + RD60	22	35	47	59	83	120
		858	1365	1833	2301	3237	4680

FOAM-FILLER PROFILES 41 MM

PROFILE WITH FOAM RH41N, RH41PN

▶ Material: aluminium, foam		RH41N01 — white
▶ Weight per 1 running m, kg	0.077	RH41N02 — brown
▶ Weight per 1 m ² , kg	1.85	RH41N03 — grey
▶ Number of slats per 1 m of curtain height	24.00	RH41N04 — beige
▶ Max curtain width, m	3.05	RH41N08 — silver
▶ Max curtain surface area, m ²	7.00	
▶ Standard length, m	6.00	
▶ Standard pack, m	240.00	



RH41N, RH41PN WINDING PARAMETERS

Shaft No.	Components used	Shutter box No.					
		RB137	RB150	RB165	RB180	RB205	RB250
		Number of slats					
		Curtain height					
RV40	Security springs + KD40	39	48	58	74	101	158
		1599	1968	2378	3034	4141	6478
	RM1 + RD40	26	34	46	63	89	134
		1066	1394	1886	2583	3649	5494
RV60	Security springs + KD60	34	44	55	77	102	140
		1394	1804	2255	3157	4182	5740
	Blocking hanger	36	46	60	73	97	155
		1476	1886	2460	2993	3997	6365
	RM1 + RD60	15	30	42	62	88	130
		615	1230	1722	2542	3608	5330

FOAM-FILLER PROFILES 45 MM

PROFILE WITH FOAM RH45N



▶ Material: aluminium, foam		RH45N01 — white
▶ Weight per 1 running m, kg	0.086	RH45N02 — brown
▶ Weight per 1 m ² , kg	1.9	RH45N03 — grey
▶ Density of foam, kg/m ³	70.00	RH45N04 — beige
▶ Number of slats per 1 m of curtain height	22.00	RH45N05 — green
▶ Max curtain width, m	3.05	RH45N06 — blue
▶ Max curtain surface area, m ²	7.00	RH45N07 — claret
▶ Standard length, m	6.00	RH45N08 — silver
▶ Standard pack, m	240.00	

PERFORATED PROFILE WITH FOAM RH45PN



▶ Material: aluminium, foam		RH45PN01 — white
▶ Weight per 1 running m, kg	0.086	RH45PN02 — brown
▶ Weight per 1 m ² , kg	1.9	RH45PN03 — grey
▶ Density of foam, kg/m ³	70.00	RH45PN04 — beige
▶ Number of slats per 1 m of curtain height	22.00	RH45PN08 — silver
▶ Max curtain width, m	3.05	
▶ Max curtain surface area, m ²	7.00	
▶ Standard length, m	6.00	
▶ Standard pack, m	240.00	

RH45N, RH45PN WINDING PARAMETERS

Shaft No.	Components used	Shutter box No.					
		RB137	RB150	RB165	RB180	RB205	RB250
		Number of slats					
Curtain height							
RV40	Security springs + KD40	28	40	50	60	84	127
		1260	1800	2250	2700	3780	5715
	RM1 + RD40	23	32	40	50	70	113
		1035	1440	1800	2250	3150	5085
RV60	Security springs + KD60	26	35	46	60	80	123
		1170	1575	2070	2700	3600	5535
	Blocking hanger	18	26	36	47	66	107
		810	1170	1620	2115	2970	4815
	RM1 + RD60	18	26	36	47	66	107
		810	1170	1620	2115	2970	4815

FOAM-FILLER PROFILES 58 MM

PROFILE WITH FOAM RH58N



▶ Material: aluminium, foam		RH58N01 — white
▶ Weight per 1 running m, kg	0.128	RH58N02 — brown
▶ Weight per 1 m ² , kg	2.18	RH58N03 — grey
▶ Density of foam, kg/m ³	70.00	RH58N04 — beige
▶ Number of slats per 1 m of curtain height	17	RH58N05 — green
▶ Max curtain width, m	3.50	RH58N06 — blue
▶ Max curtain surface area, m ²	10.00	RH58N07 — claret
▶ Standard length, m	6.00	RH58N08 — silver
▶ Standard pack, m	144.00	

PERFORATED PROFILE WITH FOAM RH58PN



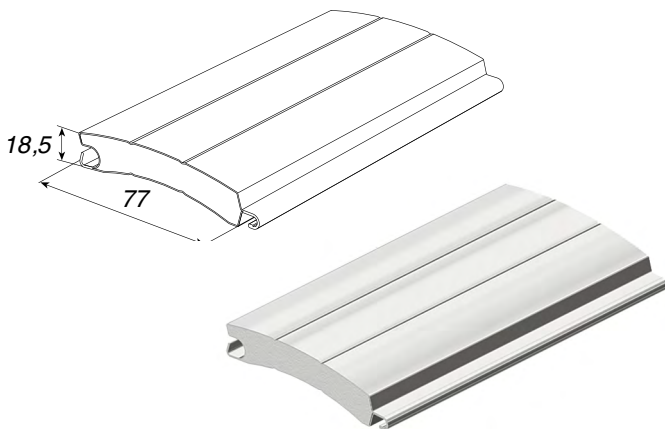
▶ Material: aluminium, foam		RH58PN01 — white
▶ Weight per 1 running m, kg	0.128	RH58PN02 — brown
▶ Weight per 1 m ² , kg	2.18	RH58PN03 — grey
▶ Density of foam, kg/m ³	70.00	RH58PN04 — beige
▶ Number of slats per 1 m of curtain height	17	RH58PN08 — silver
▶ Max curtain width, m	3.50	
▶ Max curtain surface area, m ²	10.00	
▶ Standard length, m	6.00	
▶ Standard pack, m	144.00	

RH58N, RH58PN WINDING PARAMETERS

Shaft No.	Components used	Shutter box No.					
		RB165	RB180	RB205	RB250	RB300	RB375
RV60	Security springs + KD60	24	30	42	66		
		1392	1740	2436	3828		
	Blocking hanger	22	28	40	63		
		1276	1624	2320	3654		
	RM2 + RD60	22	28	40	63		
		1276	1624	2320	3654		
RV70	Security springs + KD70	22	30	44	68		
		1276	1740	2552	3944		
	Blocking hanger	18	22	40	65		
		1044	1276	2320	3770		
	RM2 + RD70	18	22	40	63		
		1044	1276	2320	3654		
	RM3 + RD70					100	120
						5800	6960

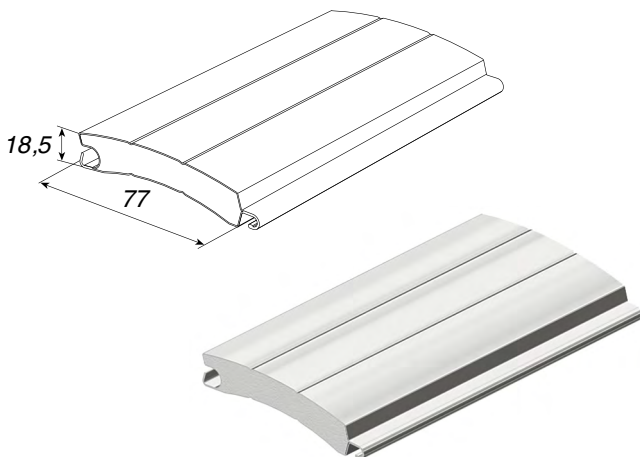
FOAM-FILLER PROFILES 77 MM

PROFILE WITH FOAM RH77M



▶ Material: aluminium, foam		RH77M01 — white)
▶ Weight per 1 running m, kg	0.37	RH77M02 — brow)
▶ Weight per 1 m ² , kg	4.8	RH77M03 — grey
▶ Density of foam, kg/m ³	70.00	RH77M04 — beige
▶ Number of slats per 1 m of curtain height	13.00	RH77M05 — green
▶ Max curtain width, m	6.00	RH77M06 — blue
▶ Max curtain surface area, m ²	17.00	RH77M07 — claret
▶ Standard length, m	7.00	RH77M08 — silver
▶ Standard pack, m	84.00	RH77M09 — golden oak
		RH77M10 — dark walnut

PROFILE WITH SOLID FOAM RHT77M



▶ Material: aluminium, foam		RHT77M01 — white
▶ Weight per 1 running m, kg	0.515	RHT77M02 — brown
▶ Weight per 1 m ² , kg	6.7	RHT77M03 — grey
▶ Density of foam, kg/m ³	180.00	RHT77M04 — beige
▶ Number of slats per 1 m of curtain height	13.00	
▶ Max curtain width, m	6.00	
▶ Max curtain surface area, m ²	16.00	
▶ Standard length, m	7.00	
▶ Standard pack, m	84.00	

RH77M, RHT77M WINDING PARAMETERS

Shaft No.	Components used	Shutter box No.		
		RB250	RB300	RB375
		Number of slats Curtain height		
RV60	Security springs + KD60	22	34	59
		1694	2618	4543
	Blocking hanger	18	35	
		1386	2695	
RB3 + RD60	18	35		
	1386	2695		
RB4 + RD60			59	
			4543	
RV70	Security springs + KD70	19	37	62
		1463	2849	4774
	Blocking hanger	19	35	
		1463	2695	
RB3 + RD70	19	35		
	1463	2695		
RB4 + RD70			59	
			4543	
RV102	Blocking hanger		34	62
			2618	4774

2

EXTRUDED ROLLER SHUTTER PROFILES

EXTRUDED PROFILE 45 MM

EXTRUDED PROFILE RHE45M



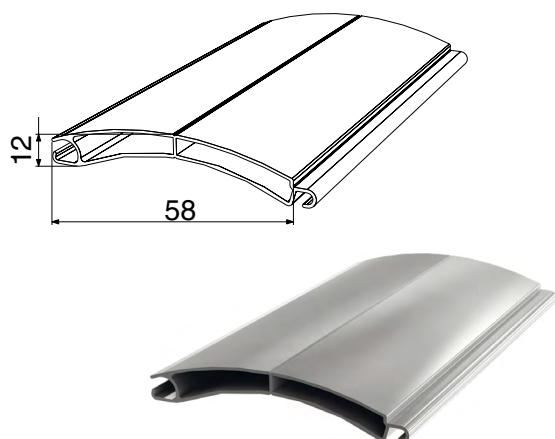
▶ Material: aluminium		RHE45M01 — white
▶ Weight per 1 running m, kg	0.227	RHE45M02 — brown
▶ Weight per 1 m ² , kg	4.5	RHE45M03 — grey
▶ Number of slats per 1 m of curtain height	22.00	RHE45M04 — beige
▶ Max curtain width, m	4.00	RHE45M05 — green
▶ Max curtain surface area, m ²	12.50	RHE45M06 — blue
▶ Standard length, m	6.00	RHE45M07 — claret
▶ Standard pack, m	126.00	RHE45M08 — silver

RHE45M WINDING PARAMETERS

Shaft No.	Components used	Shutter box No.					
		RB137	RB150	RB165	RB180	RB205	RB250
		Number of slats					
Curtain height							
RV40	Security springs + KD40	28	39	51	62	83	124
		1260	1755	2295	2790	3735	5580
	RM1 + RD40	24	31	47	58	82	126
		1080	1395	2115	2610	3690	5670
RV60	Security springs + KD60	28	35	47	58	82	119
		1260	1575	2115	2610	3690	5355
	Blocking hanger			41	52	76	121
				1845	2340	3420	5445
	RM1 + RD60			41	52	76	121
				1845	2340	3420	5445
RV70	Blocking hanger				48	71	107
					2160	3195	4815
	RM1 + RD70				48	71	107
				2160	3195	4815	

EXTRUDED PROFILE 58 MM

EXTRUDED PROFILE RHE58M



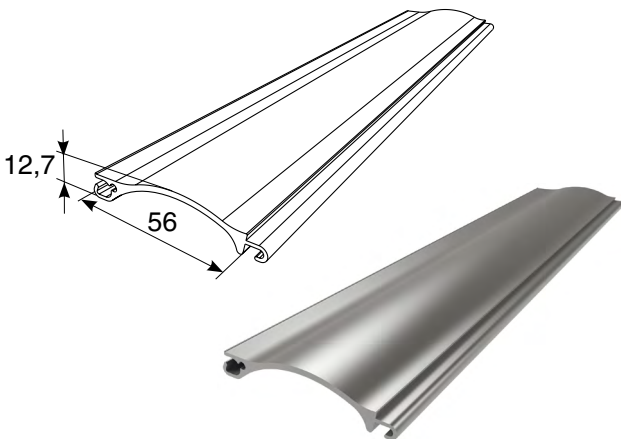
▶ Material: aluminium		RHE58M01 — white
▶ Weight per 1 running m, kg	0.319	RHE58M02 — brown
▶ Weight per 1 m ² , kg	5.4	RHE58M03 — grey
▶ Number of slats per 1 m of curtain height	17.00	RHE58M04 — beige
▶ Max curtain width, m	5.00	RHE58M05 — green
▶ Max curtain surface area, m ²	14.00	RHE58M06 — blue
▶ Standard length, m	6.00	RHE58M07 — claret
▶ Standard pack, m	60.00	RHE58M08 — silver

RHE58M WINDING PARAMETERS

Shaft No.	Components used	Shutter box No.			
		RB180	RB205	RB250	RB300
		Number of slats			
		Curtain height			
RV60	Security springs + KD60	35	46	73	104
		2 030	2 668	4 234	6 032
	Blocking hanger	33	45	72	102
		1 914	2 610	4 176	5 916
RM2 + RD60	27	43	70	102	
	1 566	2 494	4 060	5 916	
RV70	Security springs + KD70		42	73	110
			2 436	4 234	6 380
	Blocking hanger		32	70	104
			1 856	4 060	6 032
RM2 + RD70		32	70	104	
		1 856	4 060	6 032	
RV102	Blocking hanger			74	103
				4 292	5 974

EXTRUDED PROFILES 56 MM

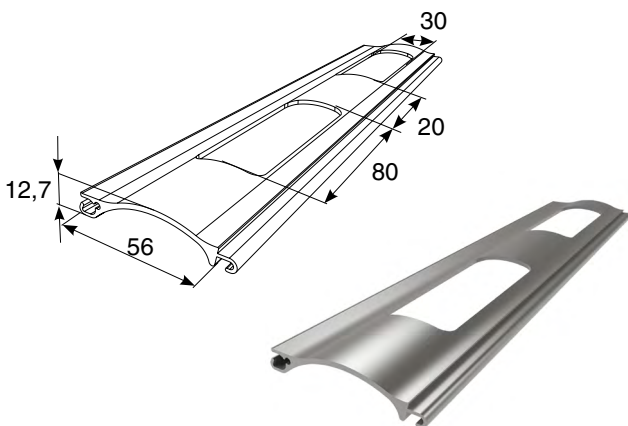
EXTRUDED PROFILE RHE56M



▶ Aluminium, extruded		RHE56M01 — white
▶ Weight per 1 running m, kg	0.460	RHE56M02 — brown
▶ Weight per 1 m ² , kg	8.3	RHE56M03 — grey
▶ Number of slats per 1 m of curtain height	18.00	RHE56M04 — beige
▶ Max curtain width with RHE30S	3.5	RHE56M08 — silver
▶ Max curtain surface area, m ²	14.00	
▶ Standard length, m	7.02	
▶ Standard pack, m	70.2	

Can be used together with RHE56GM and RHE30SM profiles.

EXTRUDED PROFILE RHE56GM



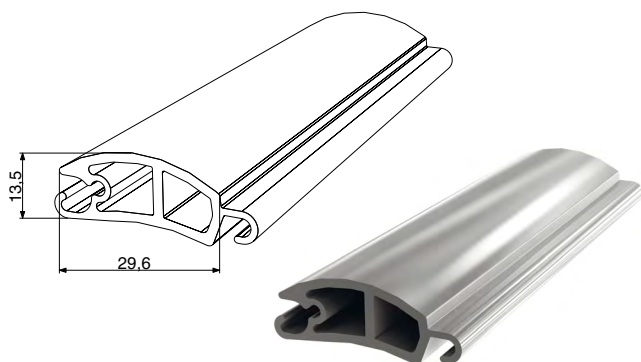
▶ Aluminium, extruded, latticed		RHE56GM01 — white
▶ Weight per 1 running m, kg	0.340	RHE56GM02 — brown
▶ Weight per 1 m ² , kg	6.12	RHE56GM03 — grey
▶ Number of slats per 1 m of curtain height	18.00	RHE56GM04 — beige
▶ Max curtain width with RHE30SM	3.5	RHE56GM08 — silver
▶ Max curtain surface area, m ²	14.00	
▶ Standard length RHE56G, m	7.02	
▶ Standard pack, m	70.20	

Can be used together with RHE56M and RHE30SM profiles.

HIGH-SECURITY EXTRUDED PROFILE RHE30SM

▶ Aluminium, extruded, used with RHE56GM and RHE56M profiles		RHE30SM01 — white
▶ Weight per 1 running m, kg	0.460	RHE30SM02 — brown
▶ Standard length, m	7.02	RHE30SM03 — grey
▶ Standard pack, m	105.30	RHE30SM04 — beige
		RHE30SM08 — silver

Used together with RHE56M and RHE56GM profiles.

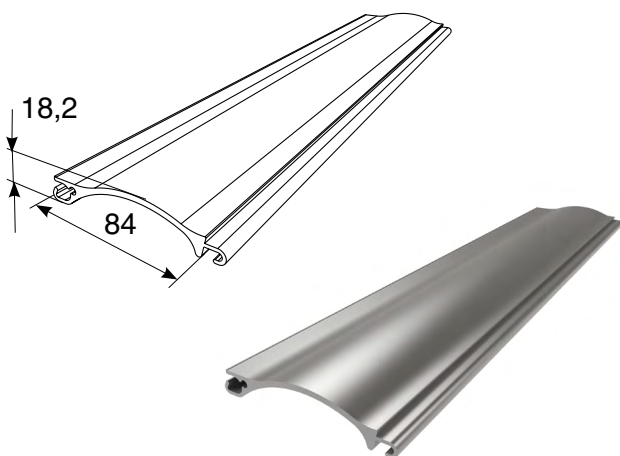


RHE56GM, RHE56M WINDING PARAMETERS

Shaft No.	Components used	Shutter box No.				
		RB180	RB205	RB250	RB300	RB375
		Number of slats				
Curtain height						
RV60	Security springs + KD60	21	35	51	83	106
		1 176	1 960	2 856	4 648	5 936
	Blocking hanger	20	30	51	81	106
		1 120	1 680	2 856	4 536	5 936
	RB3 + RD60	20	30			
		1 120	1 680			
RB4 + RD60			51	81	106	
			2 856	4 536	5 936	
RV70	Security springs + KD70		31	57	83	106
			1 736	3 192	4 648	5 936
	Blocking hanger		29	51	82	106
			1 624	2 856	4 592	5 936
	RB3 + RD70		29			
			1 624			
RB4 + RD70			51	82	106	
			2 856	4 592	5 936	
RV102	Blocking hanger			40	85	106
				2 240	4 760	5 936

EXTRUDED PROFILES 84 MM

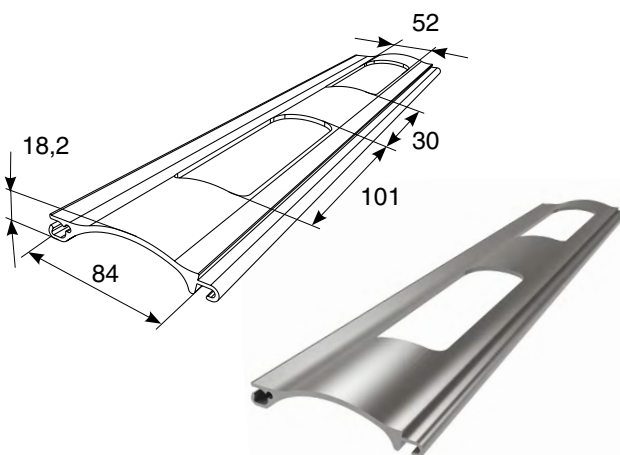
EXTRUDED PROFILE RHE84M



▶ Material: aluminium		RHE84M01 — white
▶ Weight per 1 running m, kg	0.797	RHE84M02 — brown
▶ Weight per 1 m ² , kg	9.6	RHE84M03 — grey
▶ Number of slats per 1 m of curtain height	12.00	RHE84M04 — beige
▶ Max curtain width with RHE30SM, m	5.5	RHE84M08 — silver
▶ Max curtain surface area, m ²	20.5	
▶ Standard length, m	7.00	

Can be used together with RHE84GM and RHE44SM profiles.

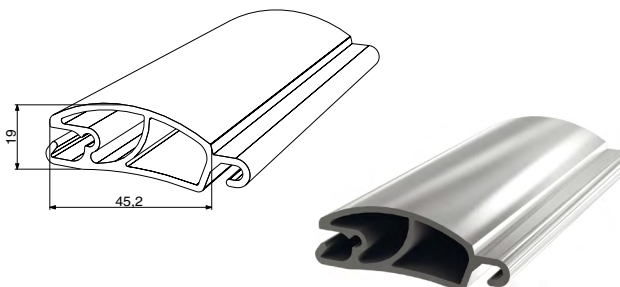
EXTRUDED PROFILE RHE84GM



▶ Material: aluminium		RHE84GM01 — white
▶ Weight per 1 running m, kg	0.593	RHE84GM02 — brown
▶ Weight per 1 m ² , kg	7.11	RHE84GM03 — grey
▶ Number of slats per 1 m of curtain height	12.00	RHE84GM04 — beige
▶ Max curtain width with RHE44SM, m	5.5	RHE84GM08 — silver
▶ Max curtain surface area, m ²	20.5	
▶ Standard length, m	7.00	

Can be used together with RHE84M and RHE44SM profiles.

HIGH-SECURITY EXTRUDED PROFILE RHE44SM



▶ Aluminium, extruded		RHE44S01 — white
▶ Weight per 1 running m, kg	0.765	RHE44S02 — brown
▶ Standard length, m	7.00	RHE44S03 — grey
▶ Standard pack, m	70.00	RHE44S04 — beige
		RHE44S08 — silver

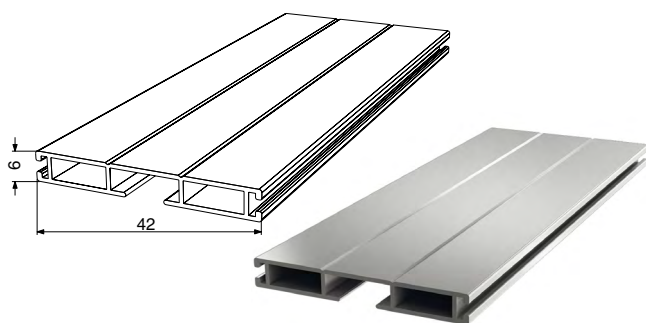
Used together with RHE84M and RHE84GM profiles.

RHE84M AND RHE84GM WINDING PARAMETERS

Shaft No.	Components used	Number of slat Curtain height	
		RBN300	RBN375
RV102	RH30FM	34	62
		2618	4774

END PROFILES

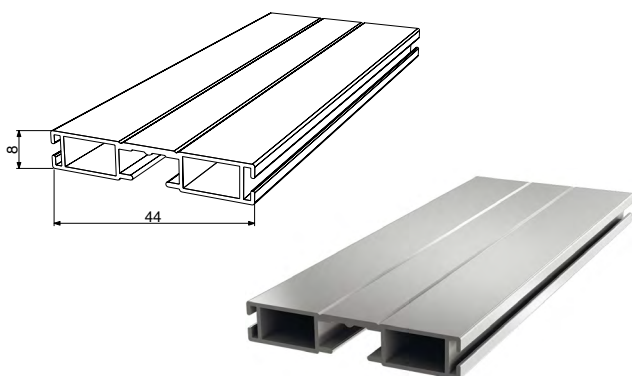
END PROFILE RA42E



▶ Aluminium, extruded		RA42E01 — white
▶ Weight of 1 running meter, kg	0.214	RA42E02 — brown
▶ Standard length, m	6.00	
▶ Standard pack, m	60.00	

It is used with the profiles RH22K, with grooves for UP10 seal and a slot for crossbar lock, central shutter lock KLA and decorative profile KR45.

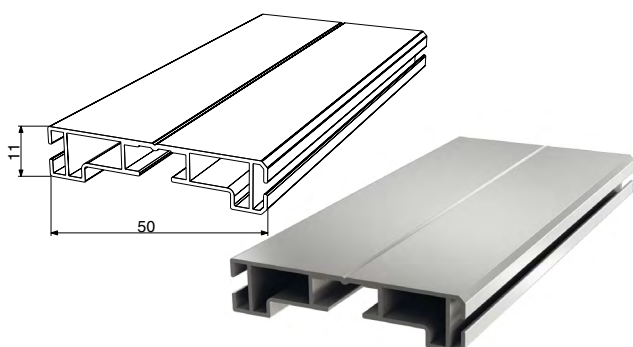
END PROFILE RA45EN



▶ Aluminium, extruded		RA45EN01 — white
▶ Weight of 1 running meter, kg	0.269	RA45EN02 — rown
▶ Standard length, m	6.00	RA45EN03 — grey
▶ Standard pack, m	60.00	RA45EN04 — beige
		RA45EN05 — green
		RA45EN06 — blue
		RA45EN07 — claret
		RA45EN08 — silver
		RA45EN09 — golden oak
		RA45EN10 — dark walnut

It is used with the profiles RA42E, RH41KN, with grooves for UP17 seal and a slot for crossbar lock, central shutter lock KLA and decorative profile KR45 and KR45M.

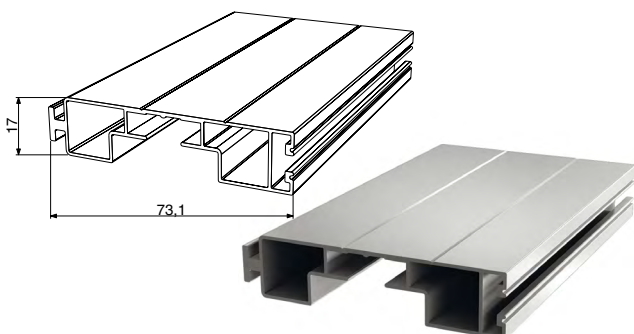
END PROFILE RA50EM



▶ Aluminium, extruded		RA50EM01 — white
▶ Weight of 1 running meter, kg	0.320	RA50EM02 — brown
▶ Standard length, m	6.00	RA50EM03 — grey
▶ Standard pack, m	60.00	RA50EM04 — beige
		RA50EM05 — green
		RA50EM06 — blue
		RA50EM07 — claret
		RA50EM08 — silver

It is used with the profiles RH50KN, RH58K, with grooves for UP13 seal and joining profile, and with a slot for crossbar lock, central shutter lock KLA and decorative profile KR45 and KR45M.

END PROFILE RA77EM

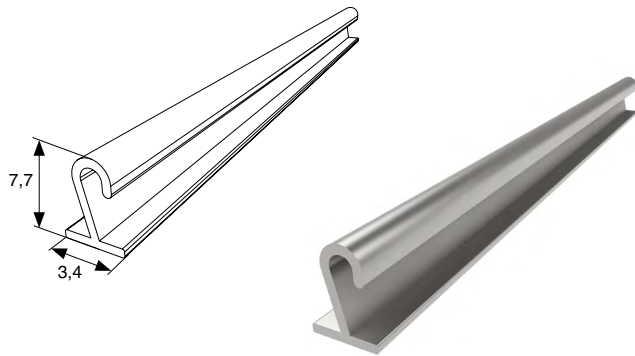


▶ Aluminium, extruded		RA77EM01 — white
▶ Weight of 1 running meter, kg	0.598	RA77EM02 — brown
▶ Standard length, m	7.00	RA77EM03 — grey
▶ Standard pack, m	70.00	RA77EM04 — beige
		RA77EM05 — green
		RA77EM06 — blue
		RA77EM07 — claret
		RA77EM08 — silver

It is used with the profiles RH77KN. With grooves for seal UP3 and joining profile, and with a slot for crossbar lock, central shutter lock KLA77 and decorative profile KR77 and KR77M.

JOINING PROFILES

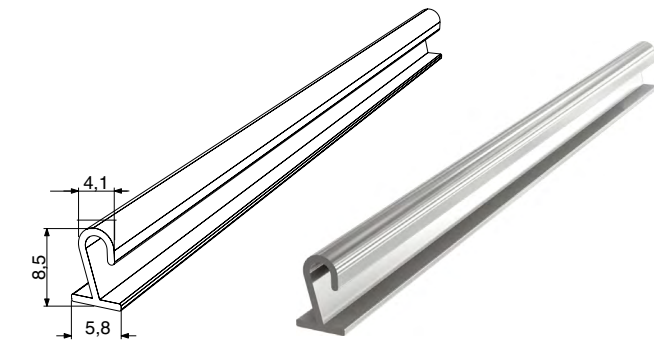
JOINING PROFILE RH39K



▶ Aluminium, extruded		RH39K — not painted
▶ Weight of 1 running meter, kg	0.036	
▶ Standard length, m	3.00	
▶ Standard pack, m	60.00	

For end profiles RA42E. It is used with the profiles RH39N, RH39PN.

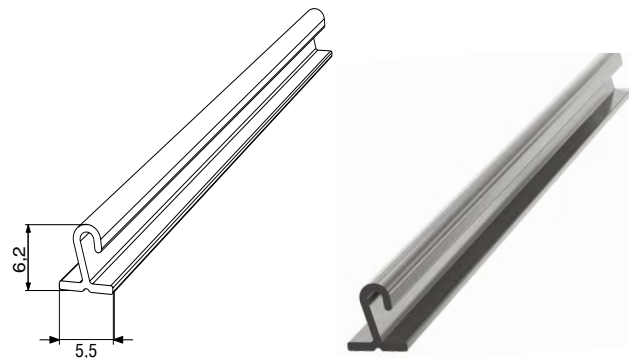
JOINING PROFILE RH40KN



▶ Aluminium, extruded		RH40KN — not painted
▶ Weight of 1 running meter, kg	0.04	
▶ Standard length, m	3.00	
▶ Standard pack, m	60.00	

For end profiles RA45EN. It is used with the profiles RHE45M, RHE45.

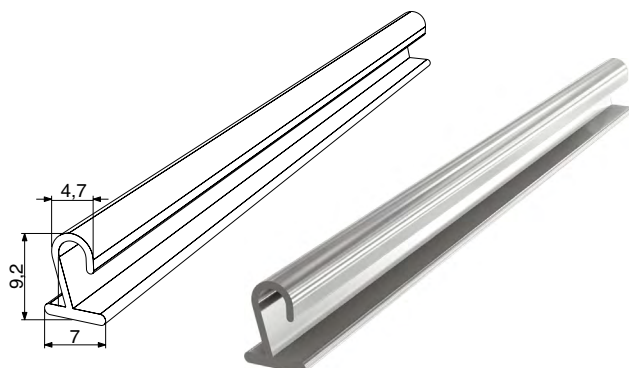
JOINING PROFILE RH41KN



▶ Aluminium, extruded		RH41KN — not painted
▶ Weight of 1 running meter, kg	0.028	
▶ Standard length, m	3.00	
▶ Standard pack, m	60.00	

For end profiles RA45EN. It is used with the profiles RH45N, RH45PN.

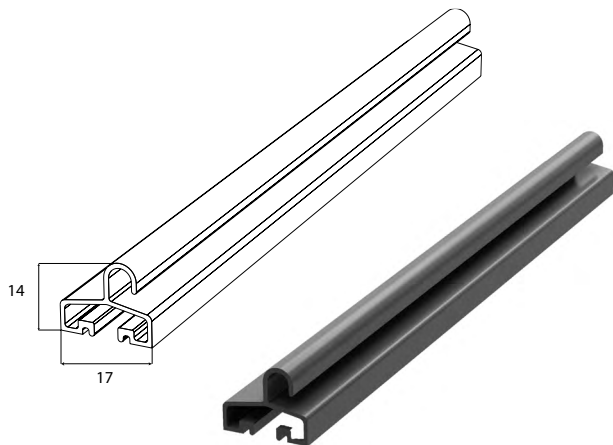
JOINING PROFILE RH50KN



▶ Aluminium, extruded		RH50KN — not painted
▶ Weight of 1 running meter, kg	0.051	
▶ Standard length, m	3.00	
▶ Standard pack, m	60.00	

For end profile RA50EM. It is used with the profiles RH58N, RH58PN, RHE58M, RHE56M, RHE56GM.

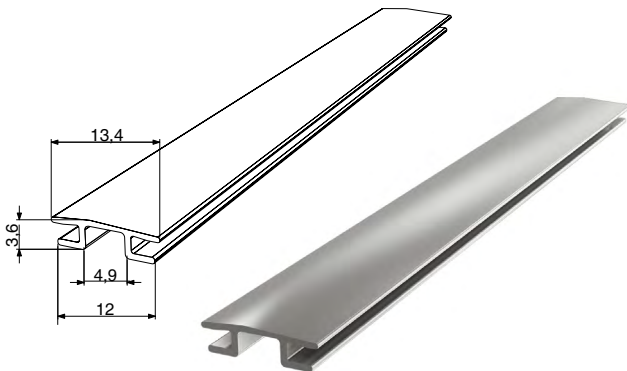
JOINING PROFILE RA77KN



▶ Aluminium, extruded			RA77KN1 — white
▶ Weight of 1 running meter, kg	0.153		RA77KN2 — brown
▶ Standard length, m	7.00		RA77KN3 — grey
▶ Standard pack, m	70.00		RA77KN4 — beige
			RA77KN5 — green
			RA77KN6 — blue
			RA77KN7 — claret
			RA77KN8 — silver

It is used with the profiles RH77M and RHT77M.

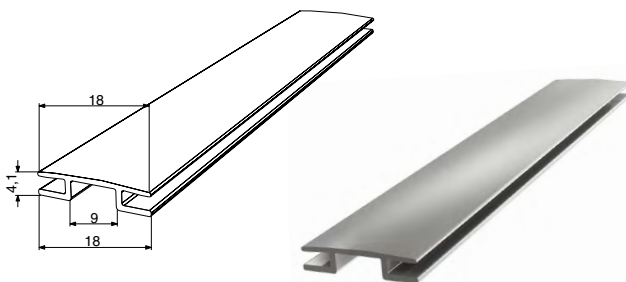
DECORATIVE PROFILE KR45M



▶ Aluminium, extruded			KR45M01 — white
▶ Weight of 1 running meter, kg	0,05		KR45M02 — brown
▶ Standard length, m	6,00		KR45M03 — grey
▶ Standard pack, m	60,00		KR45M04 — beige
			KR45M05 — green
			KR45M06 — blue
			KR45M07 — claret
			KR45M08 — silver
			KR45M09 — golden oa
			KR45M10 — dark walnut

For end profiles RA42E, RA45EN, RA50EM.

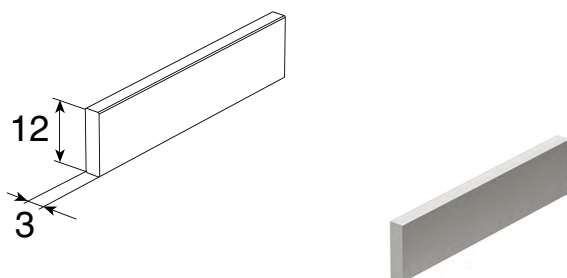
DECORATIVE PROFILE KR77M



▶ Aluminium, extruded			KR77M01 — white
▶ Weight of 1 running meter, kg	0.076		KR77M02 — brown
▶ Standard length, m	7.00		KR77M03 — grey
▶ Standard pack, m	70.00		KR77M04 — beige
			KR77M08 — silver

For end profiles RA77EM.

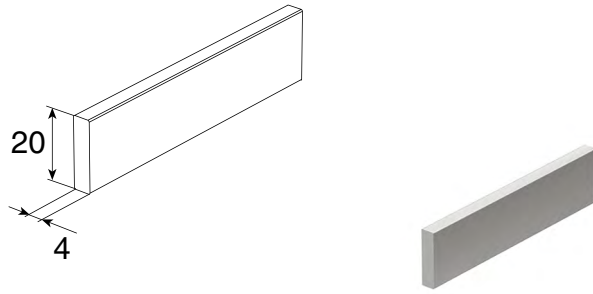
LOCKING FLAT BAR RH12K



▶ Aluminium			RH12K — not painted
▶ Weight of 1 running meter, kg	0.098		
▶ Standard length, m	6.00		
▶ Standard pack, m	60.00		

For RA42E, RA45EN, RA50EM profiles. It is used together with central shutter lock KLA.

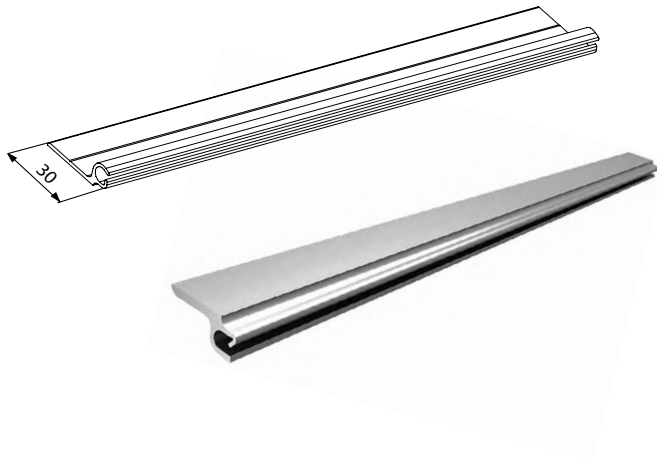
LOCKING FLAT BAR RH20K



▶ Aluminium		RH20K — not painted
▶ Weight of 1 running meter, kg	0,217	
▶ Standard length, m	6,00	
▶ Standard pack, m	60,00	

It is used for RA77EM profiles together with central shutter lock KLA77.

TOP PROFILE RH30FM

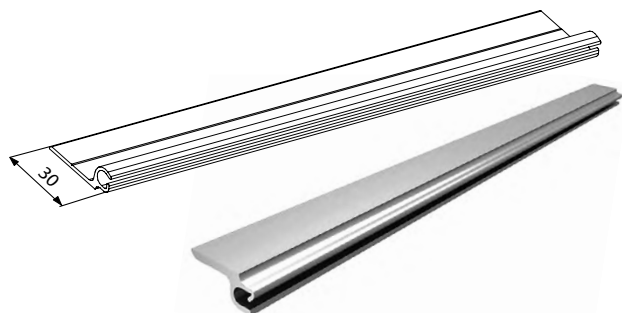


▶ Aluminium, extruded		RH30FM — not painted
▶ Weight of 1 running meter, kg	0,309	
▶ Standard length, m	6,00	
▶ Standard pack, m	60,00	

It is used with the profiles RHE84M, RHE84GM.

TOP PROFILES FOR BLOCKING HANGER

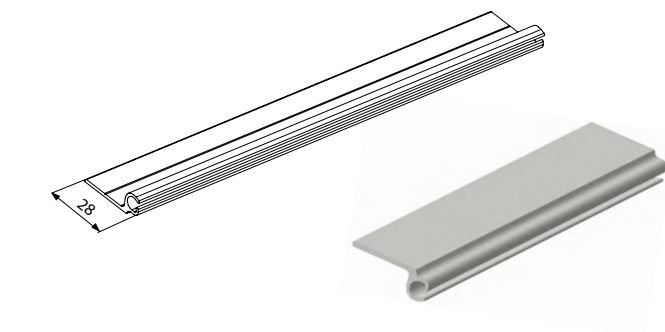
TOP PROFILE RHE3001



▶ Aluminium, extruded		RHE3001 — white
▶ Weight of 1 running meter, kg	0,309	
▶ Standard length, m	6,00	
▶ Standard pack, m	60,00	

It is used with the profiles RHE58, RHE56M, RHE56GM, RH77M, RHT77M.

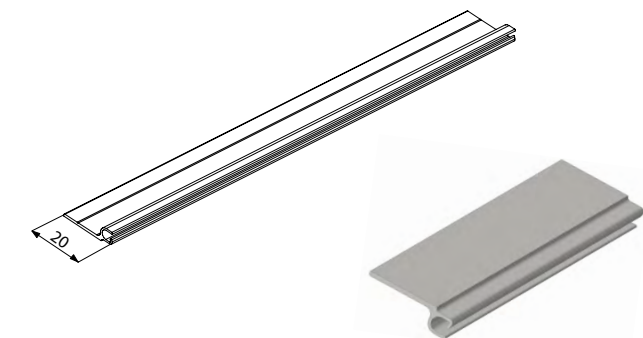
TOP PROFILE RHE2801



▶ Aluminium, extruded		RHE2801 — white
▶ Weight of 1 running meter, kg	0,206	
▶ Standard length, m	6,00	
▶ Standard pack, m	60,00	

It is used with the profiles RH58N, RH58PN, RHE58M.

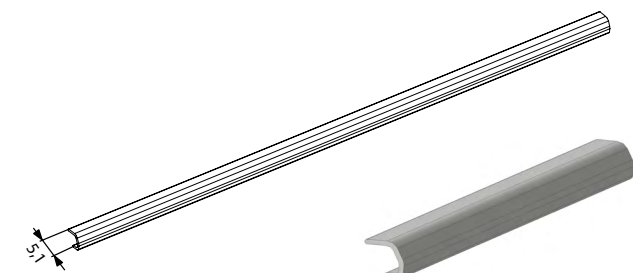
TOP PROFILE RHE2001



▶ Aluminium, extruded		RHE2001 — white
▶ Weight of 1 running meter, kg	0,132	
▶ Standard length, m	6,00	
▶ Standard pack, m	60,00	

It is used with the profiles RH39N, RH39PN, RH41N, RH41PN, RH45N, RH45PN, RHE45M.

TOP PROFILE RH5K



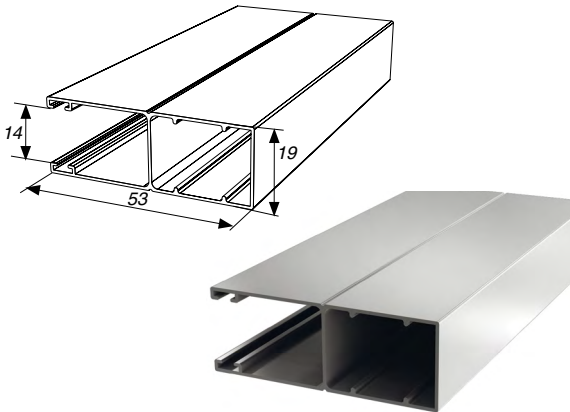
▶ Aluminium, extruded		RH5K — not painted
▶ Weight of 1 running meter, kg	0,016	
▶ Standard length, m	3,00	
▶ Standard pack, m	30,00	

It is used with the profiles RH39N, RH39PN, RH41N, RH41PN, RH45N, RH45PN.

4

GUIDE PROFILES

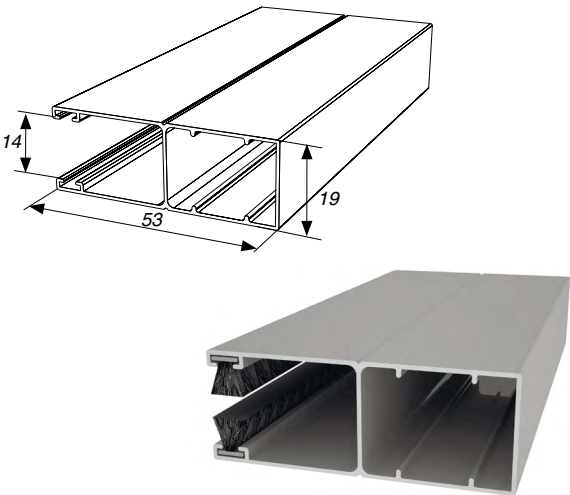
GUIDE RAIL RG53M



▶ Aluminium, extruded		RG53M09 — golden oak
▶ Weight of 1 running meter, kg	0.369	RG53M10 — dark walnut
▶ Standard length, m	6.00	
▶ Standard pack, m	36.00	

For profile RHE45 and end caps RK165D, RK165R, RK180D, RK180R, RK205D, RK205R. It is used together with UP7 brush strip.

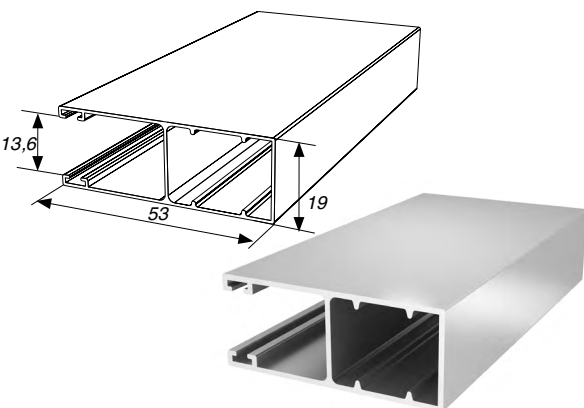
GUIDE RAIL WITH BRUSH STRIP RG53MS



▶ Aluminium, extruded		RG53MS01 — white
▶ Weight of 1 running meter, kg	0.369	RG53MS02 — brown
▶ Standard length, m	6.00	RG53MS03 — grey
▶ Standard pack, m	36.00	RG53MS04 — beige
		RG53MS05 — green
		RG53MS06 — blue
		RG53MS07 — claret
		RG53MS08 — silver

For RH39N, RH39PN, RH41N, RH41PN, RH45N, RH45PN, RHE45M profiles and end caps RK137, RK150, RK165, RK180, RK205, RK250S, RK165D, RK165R, RK180D, RK180R, RK205D, RK205R. It is used together with UP7 brush strip.

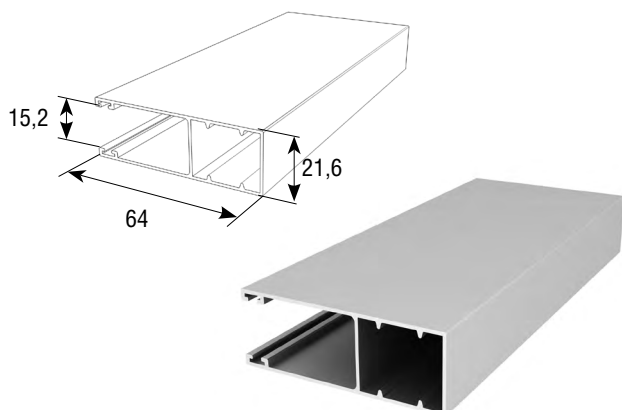
REINFORCED GUIDE RG53BN



▶ Aluminium, extruded		RG53BN01 — white
▶ Weight of 1 running meter, kg	0.409	RG53BN02 — brown
▶ Standard length, m	6.00	RG53BN03 — grey
▶ Standard pack, m	36.00	RG53BN04 — beige
		RG53BN05 — green
		RG53BN06 — blue
		RG53BN07 — claret
		RG53BN08 — silver

For RH39N, RH39PN, RH41N, RH41PN, RH45N, RH45PN, RHE45M profiles and end caps RK137, RK150, RK165, RK180, RK205, RK250S, RK165D, RK165R, RK180D, RK180R, RK205D, RK205R. It is used together with UP7 brush strip.

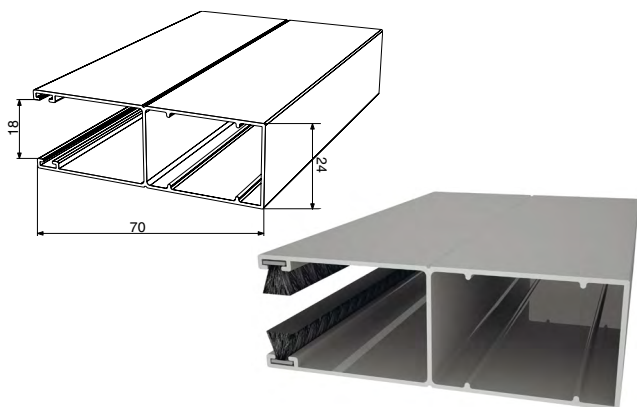
GUIDE RAIL RG64



▶ Aluminium, extruded		RG6401 — white
▶ Weight of 1 running meter, kg	0.527	RG6402 — brown
▶ Standard length, m	6.00	
▶ Standard pack, m	36.00	

For RH39N, RH39PN, RH41N, RH41PN, RH45N, RH45PN, RHE45M profiles and end caps RK137, RK150, RK165, RK180, RK205, RK250S, RK165D, RK165R, RK180D, RK180R, RK205D, RK205R. It is used together with UP7 brush strip.

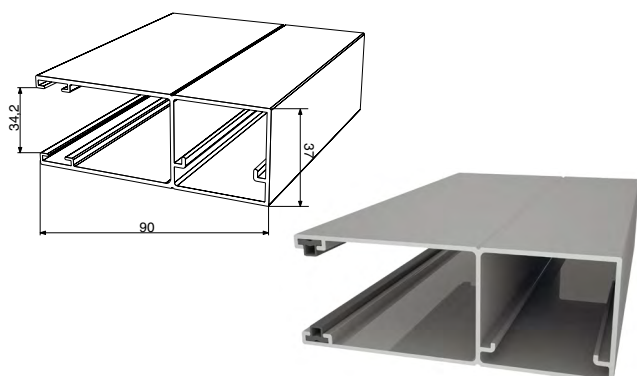
GUIDE RAIL WITH BRUSH STRIP RG70M



▶ Aluminium, extruded		RG70MS01 — white
▶ Weight of 1 running meter, kg	0.497	RG70MS02 — brown
▶ Standard length, m	6.00	RG70MS03 — grey
▶ Standard pack, m	36.00	RG70MS04 — beige
		RG70MS05 — green
		RG70MS06 — blue
		RG70MS07 — claret
		RG70MS08 — silver

For RH58N, RH58PN, RHE58M, RHE56M, RHE56GM profiles and RK250, RK300, RK375 end caps. It is used together with UP7 brush strip.

GUIDE RAIL WITH BRUSH STRIP RG90MS



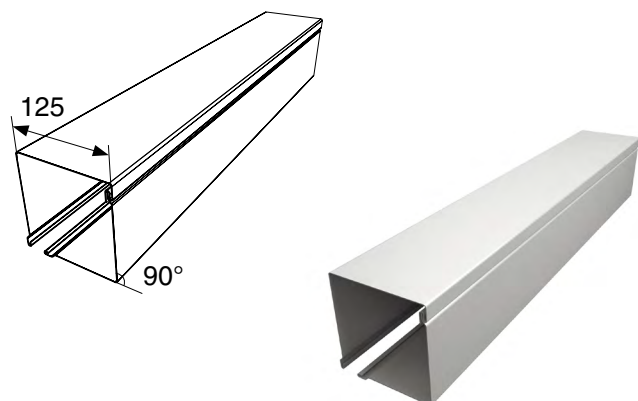
▶ Aluminium, extruded		RG90MS01 — white
▶ Weight of 1 running meter, kg	1.092	RG90MS02 — brown
▶ Standard length, m	6.00	RG90MS03 — grey
▶ Standard pack, m	36.00	RG90MS04 — beige
		RG90MS05 — green
		RG90MS06 — blue
		RG90MS07 — claret
		RG90MS08 — silver

For RH77M, RHT77M, RHE78G, RHE84M, RHE84GM profiles and RK250, RKS250, RK300, RK375 end caps. It is used together with UP2 PVC seal.

SHUTTER BOXES

SHUTTER BOXES 45°

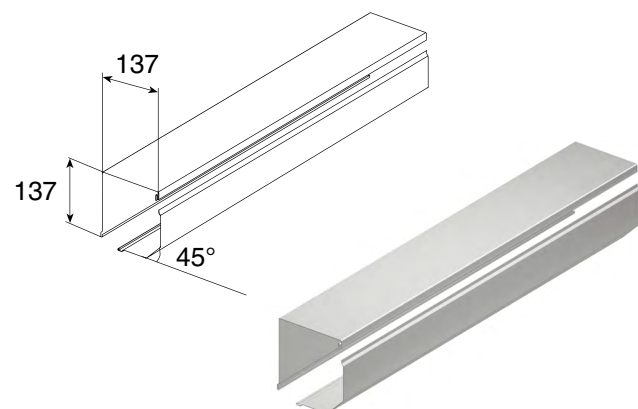
SHUTTER BOX RB125



▶ Aluminium		RB12501 — white
▶ Weight of 1 running meter, kg	0.84	RB12502 — brown
▶ Standard length, m	6.00	
▶ Standard pack, m	30.00	

It consists of 2 parts in protective film.

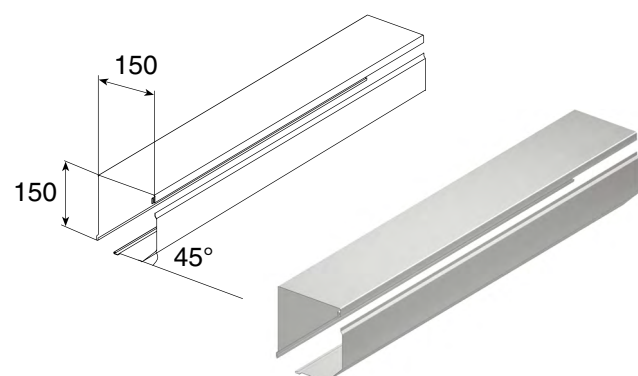
SHUTTER BOX RB137



▶ Aluminium		RB13701 — white
▶ Weight of 1 running meter, kg	1.095	RB13702 — brown
▶ Standard length, m	6.00	RB13703 — grey
▶ Standard pack, m	30.00	RB13704 — beige

It consists of 2 parts in protective film.

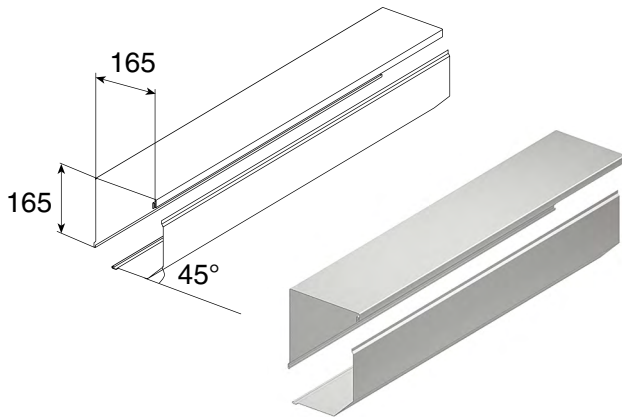
SHUTTER BOX RB150



▶ Aluminium		RB15001 — white
▶ Weight of 1 running meter, kg	1.173	RB15002 — brown
▶ Standard length, m	6.00	RB15003 — grey
▶ Standard pack, m	30.00	RB15004 — beige
		RB15005 — green
		RB15006 — blue
		RB15007 — claret
		RB15008 — silver

It consists of 2 parts in protective film.

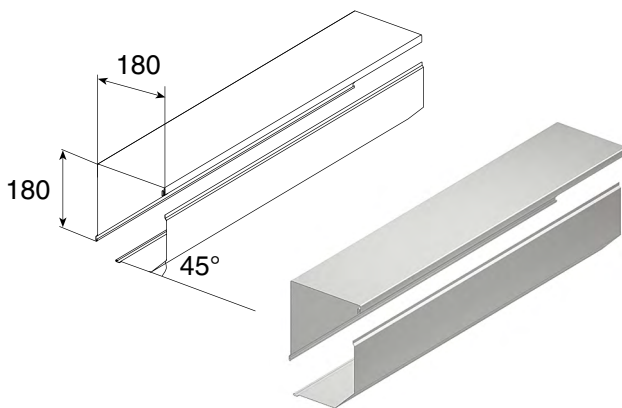
SHUTTER BOX RB165



▶ Aluminium			RB16501 — white
▶ Weight of 1 running meter, kg	1.289		RB16502 — brown
▶ Standard length, m	6.00		RB16503 — grey
▶ Standard pack, m	30.00		RB16504 — beige
			RB16505 — green
			RB16506 — blue
			RB16507 — claret
			RB16508 — silver

It consists of 2 parts in protective film.

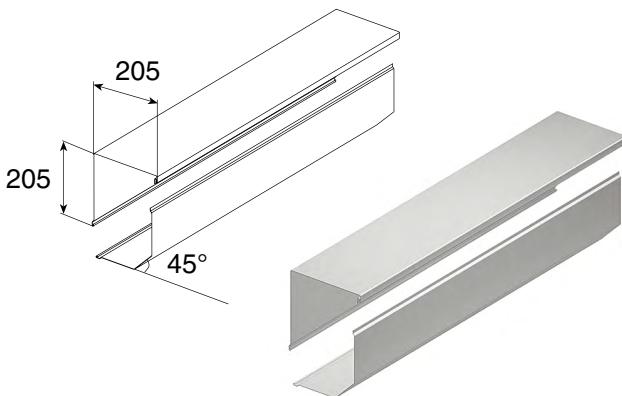
SHUTTER BOX RB180



▶ Aluminium			RB18001 — white
▶ Weight of 1 running meter, kg	1.407		RB18002 — brown
▶ Standard length, m	6.00		RB18003 — grey
▶ Standard pack, m	30.00		RB18004 — beige
			RB18005 — green
			RB18006 — blue
			RB18007 — claret
			RB18008 — silver

It consists of 2 parts in protective film.

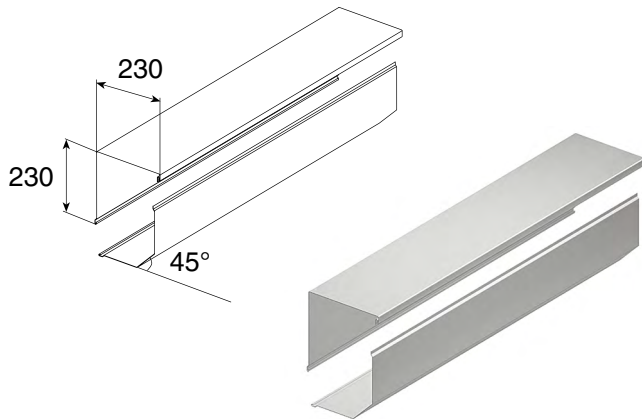
SHUTTER BOX RB205



▶ Aluminium			RB20501 — white
▶ Weight of 1 running meter, kg	1.781		RB20502 — brown
▶ Standard length, m	6.00		RB20503 — grey
▶ Standard pack, m	18.00		RB20504 — beige
			RB20505 — green
			RB20506 — blue
			RB20507 — claret
			RB20508 — silver

It consists of 2 parts in protective film.

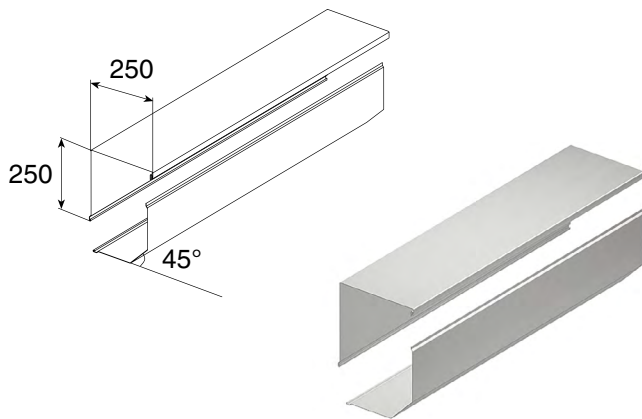
SHUTTER BOX RB230



▶ Aluminium		RB20501 — white
▶ Weight of 1 running meter, kg	1.985	RB20502 — brown
▶ Standard length, m	6.00	RB20503 — grey
▶ Standard pack, m	18.00	RB20504 — beige

It consists of 2 parts in protective film.

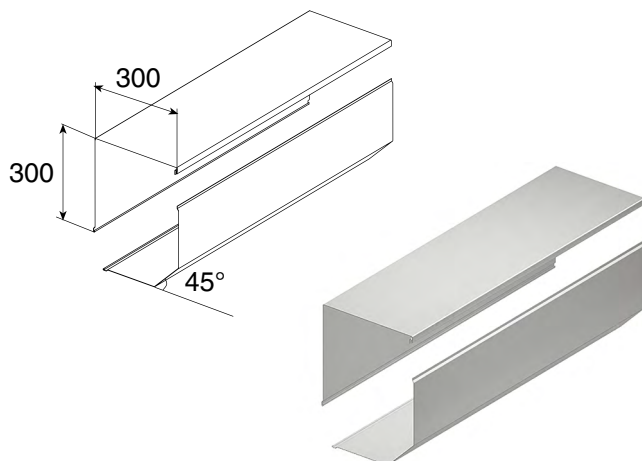
SHUTTER BOX RB250



▶ Aluminium		RB25001 — white
▶ Weight of 1 running meter, kg	2.14	RB25002 — brown
▶ Standard length, m	6.00	RB25003 — grey
▶ Standard pack, m	18.00	RB25004 — beige
		RB25005 — green
		RB25006 — blue
		RB25007 — claret
		RB25008 — silver

It consists of 2 parts in protective film.

SHUTTER BOX RB300



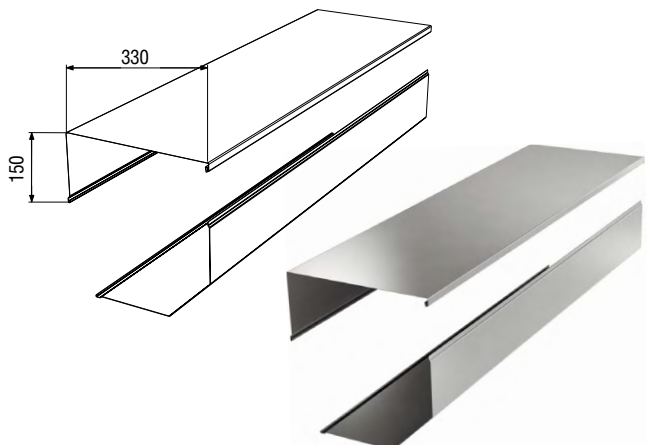
▶ Aluminium		RB30001 — white
▶ Weight of 1 running meter, kg	2.563	RB30002 — brown
▶ Standard length, m	6.00	RB30003 — grey
▶ Standard pack, m	18.00	RB30004 — beige
		RB30005 — green
		RB30006 — blue
		RB30007 — claret
		RB30008 — silver

It consists of 2 parts in protective film.

SHUTTER BOX RB330

▶ Aluminium		RB37501 — white
▶ Colour: white, brown, grey, beige		RB37502 — brown
▶ Weight of 1 running meter, kg	2,683	RB37503 — grey
▶ Standard length, m	6,00	RB37504 — beige
▶ Standard pack, m	18,00	

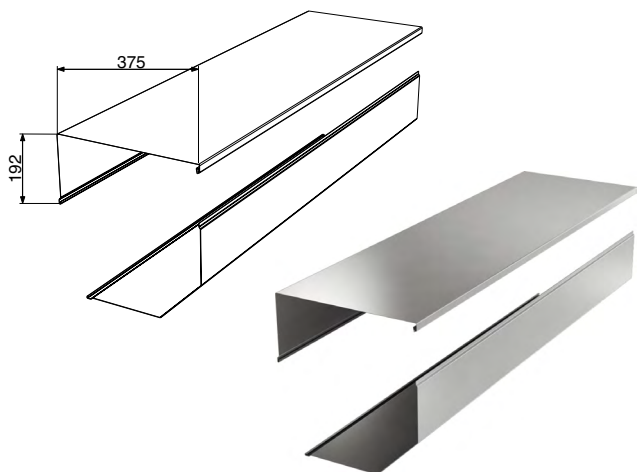
It consists of 2 parts in protective film. It can be used with RBA375



SHUTTER BOX RB375

▶ Aluminium		RB37501 — white
▶ Colour: white, brown, grey, beige, green, blue, claret, silver		RB37502 — brown
▶ Weight of 1 running meter, kg	2,785	RB37503 — grey
▶ Standard length, m	6,00	RB37504 — beige
▶ Standard pack, m	18,00	RB37505 — green
		RB37506 — blue
		RB37507 — claret
		RB37508 — silver

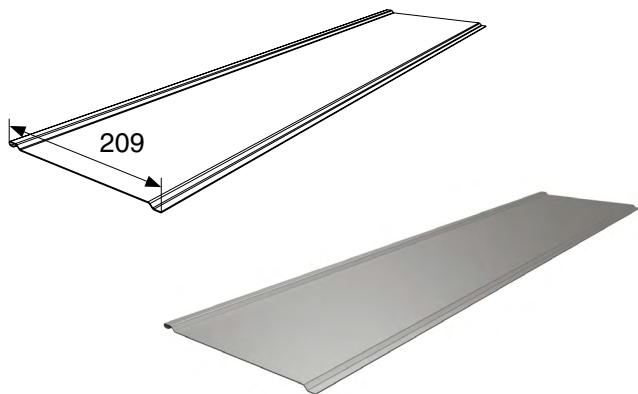
It consists of 2 parts in protective film. It can be used with RBA375



ADDITIONAL COVER RBA375 FOR SHUTTER BOX 375

▶ Aluminium		RBA37501 — white
▶ Colour: white, brown, grey, beige, green, blue, claret, silver		RBA37502 — brown
▶ Weight of 1 running meter, kg	0,56	RBA37503 — grey
▶ Standard length, m	6,00	RBA37504 — beige
▶ Standard pack, m	18,00	RB37505 — green
		RB37506 — blue
		RB37507 — claret
		RBA37508 — silver

For shutter box RB375 and RB330

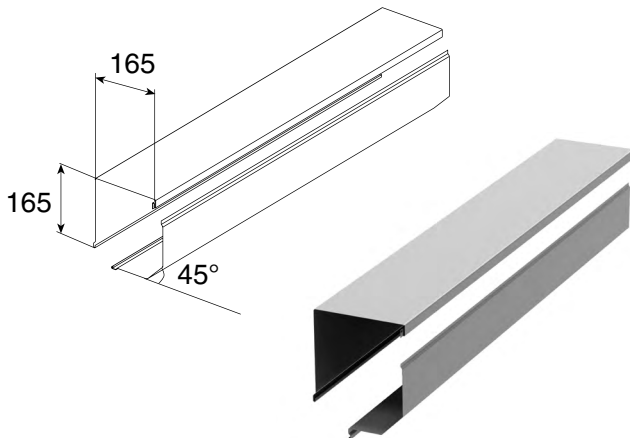


SHUTTER BOX RBN165

- ▶ Aluminium
- ▶ Weight of 1 running meter, kg 1.237
- ▶ Standard length, m 6.00
- ▶ Standard pack, m 18.00

- RBN16501 — white
- RBN16502 — brown
- RBN16503 — grey
- RBN16504 — beige
- RBN16508 — silver

It consists of 2 parts in protective film. For profile RHS52.

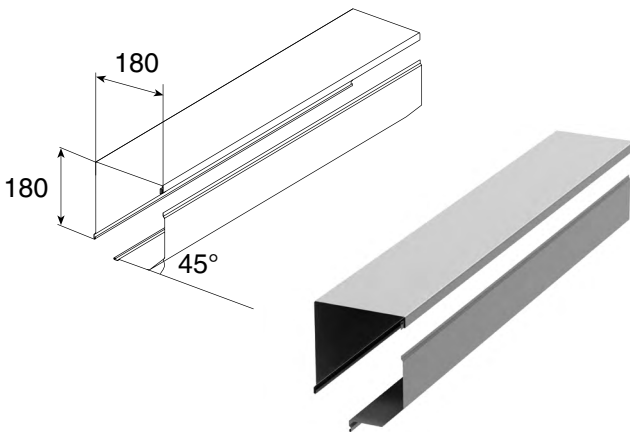


SHUTTER BOX RBN180

- ▶ Aluminium
- ▶ Weight of 1 running meter, kg 1.237
- ▶ Standard length, m 6.00
- ▶ Standard pack, m 18.00

- RBN18001 — white)
- RBN18002 — brown
- RBN18003 — grey
- RBN18004 — beige
- RBN18008 — silver

It consists of 2 parts in protective film. For profile RHS52.

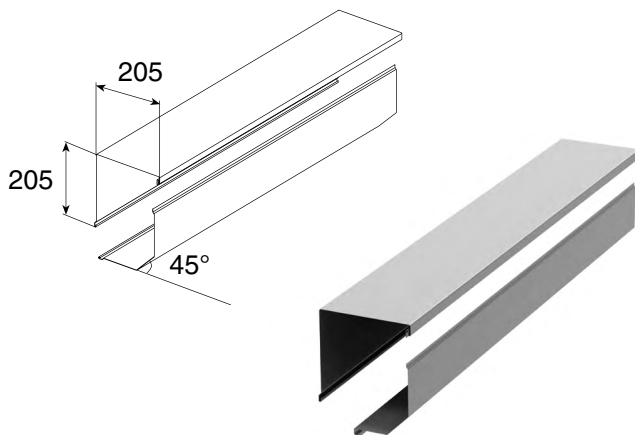


SHUTTER BOX RBN205

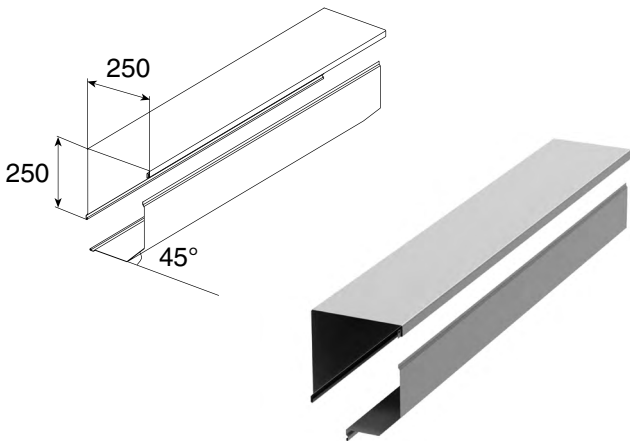
- ▶ Aluminium
- ▶ Weight of 1 running meter, kg 1.237
- ▶ Standard length, m 6.00
- ▶ Standard pack, m 18.00

- RBN20501 — white
- RBN20502 — brown
- RBN20503 — grey
- RBN20504 — beige
- RBN20508 — silver

It consists of 2 parts in protective film. For profile RHS52.



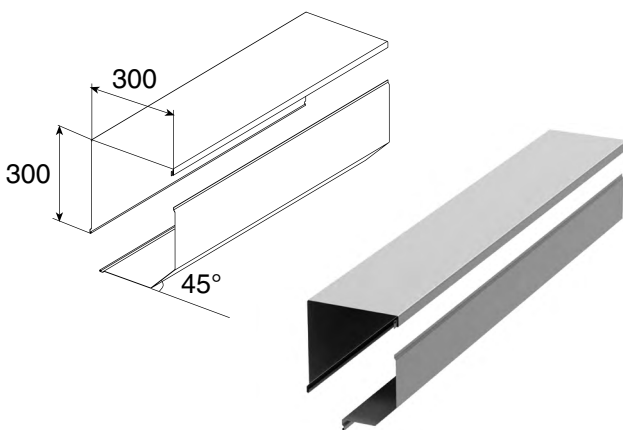
SHUTTER BOX RBN250



▶ Aluminium		RBA25001 — white
▶ Weight of 1 running meter, kg	1.237	RBA25002 — brown
▶ Standard length, m	6.00	RBA25003 — grey
▶ Standard pack, m	18.00	RBA25004 — beige
		RBA25008 — silver

It consists of 2 parts in protective film. For profile RHS52.

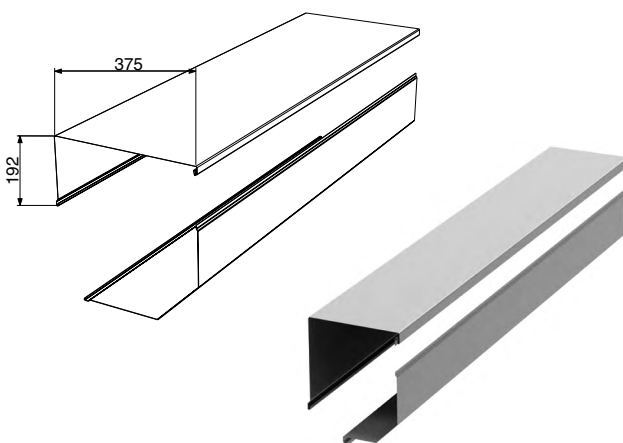
SHUTTER BOX RBN300



▶ Aluminium		RBA30001 — white
▶ Weight of 1 running meter, kg	1.237	RBA30002 — brown
▶ Standard length, m	6.00	RBA30003 — grey
▶ Standard pack, m	18.00	RBA30004 — beige
		RBA30005 — green
		RBA30006 — blue
		RBA30007 — claret
		RBA30008 — silver

It consists of 2 parts in protective film. For profiles RHS52, RHE84M, RHE84GM.

SHUTTER BOX RBN375



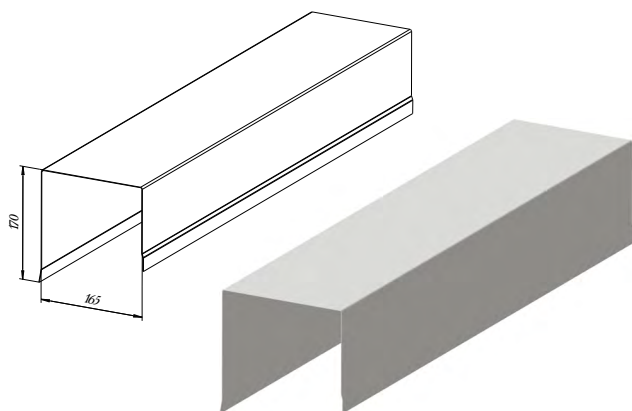
▶ Aluminium		RBN37501 — white
▶ Weight of 1 running meter, kg	1.237	RBN37502 — brown
▶ Standard length, m	6.00	RBN37503 — grey
▶ Standard pack, m	18.00	RBN37504 — beige
		RBN37505 — green
		RBN37506 — blue
		RBN37507 — claret
		RBN37508 — silver

It consists of 2 parts in protective film. For profiles RHS52, RHE84M, RHE84GM.

HIDDEN SHUTTER BOXES

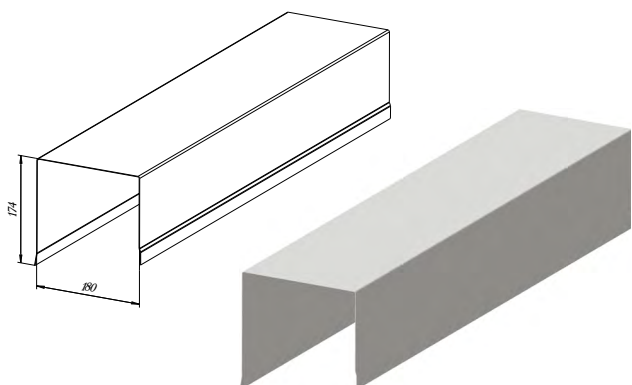
SHUTTER BOX RBIS165

▶ Aluminium		RBIS16501 — white
▶ Weight of 1 running meter, kg	1.082	
▶ Standard length, m	6.00	
▶ Standard pack, m	18.00	



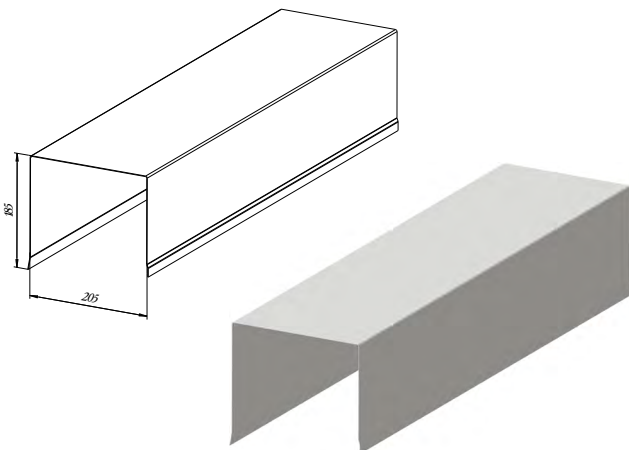
SHUTTER BOX RBIS180

▶ Aluminium		RBIS18001 — white
▶ Weight of 1 running meter, kg	1.165	
▶ Standard length, m	6.00	
▶ Standard pack, m	18.00	

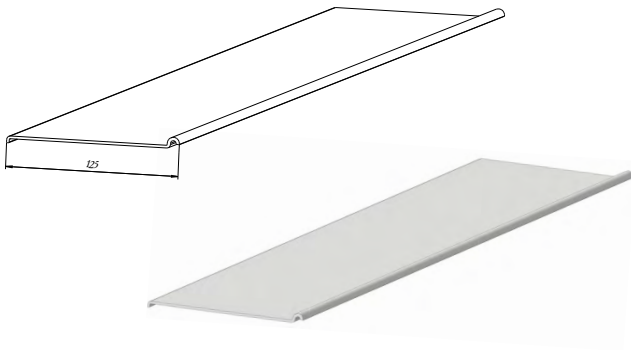


SHUTTER BOX RBIS205

▶ Aluminium		RBIS20501 — white
▶ Weight of 1 running meter, kg	1.297	
▶ Standard length, m	6.00	
▶ Standard pack, m	18.00	

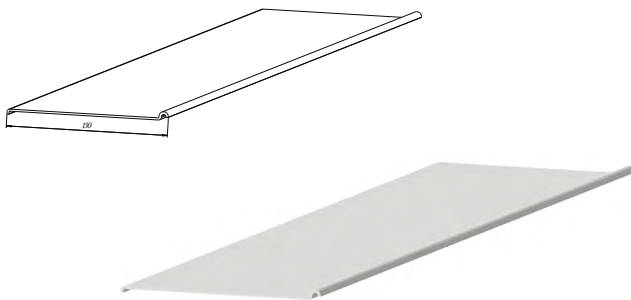


REVISION PROFILE RBR165



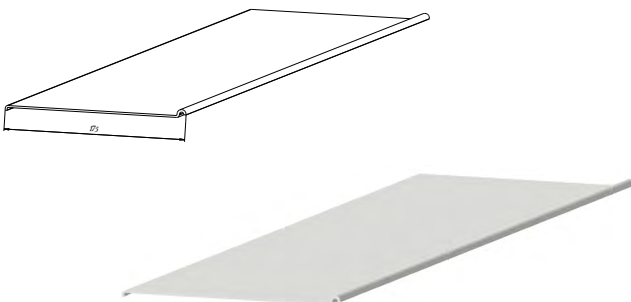
▶ Aluminium		RBR16501 — white RBR16502 — brown
▶ Weight of 1 running meter, kg	0.730	
▶ Standard length, m	6.00	
▶ Standard pack, m	18.00	

REVISION PROFILE RBR180



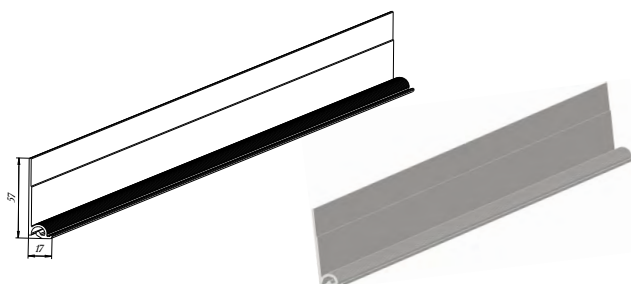
▶ Aluminium		RBR18001 — white RBR18002 — brown
▶ Weight of 1 running meter, kg	0.865	
▶ Standard length, m	6.00	
▶ Standard pack, m	18.00	

REVISION PROFILE RBR205



▶ Aluminium		RBR20501 — white RBR20502 — brown)
▶ Weight of 1 running meter, kg	1.000	
▶ Standard length, m	6.00	
▶ Standard pack, m	18.00	

FACADE PROFILE RBS

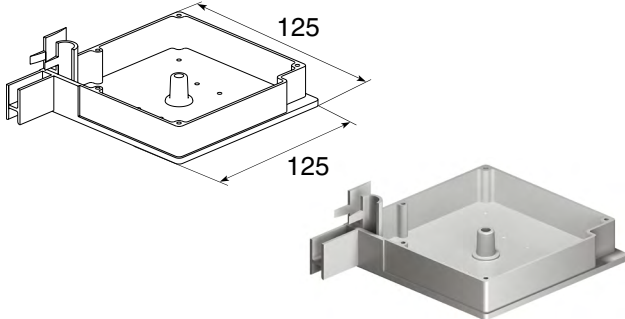


▶ Aluminium		RBS01 — white RBS02 — brown
▶ Weight of 1 running meter, kg	0.434	
▶ Standard length, m	6.00	
▶ Standard pack, m	18.00	

END CAPS

ALUMINIUM END CAPS 45°

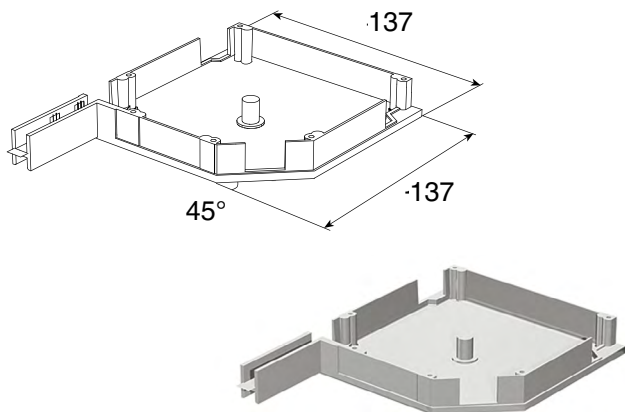
END CAP RK125



▶ Plastic		RK12501 — white
▶ Weight of 1 pair, kg	0.40	RK12502 — brown
▶ Standard pack, pair	10.00	

It is used with the guides RG46M.

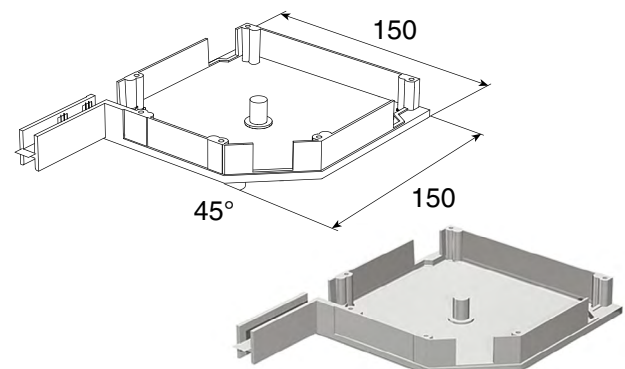
END CAP RK137



▶ Aluminium		RK13701 — white
▶ Weight of 1 pair, kg	0.580	RK13702 — brown
▶ Standard pack, pair	10.00	RK13703 — grey
		RK13704 — beige

It is used with the guides RG53MS, RG53BN, RG64, RG65MS.

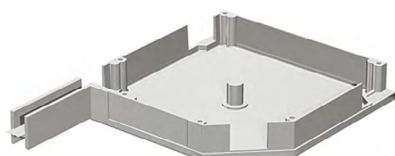
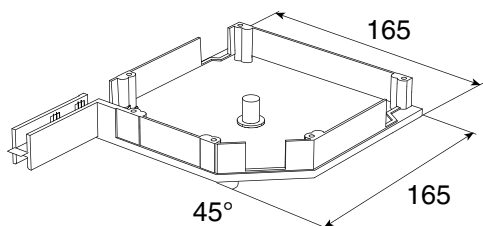
END CAP RK150



▶ Aluminium		RK15001 — white
▶ Weight of 1 pair, kg	0.61	RK15002 — brown
▶ Standard pack, pair	10.00	RK15003 — grey
		RK15004 — beige
		RB15005 — green
		RB15006 — blue
		RB16507 — claret
		RB15008 — silver

It is used with the guides RG53MS, RG53BN, RG64, RG65MS.

END CAP RK165



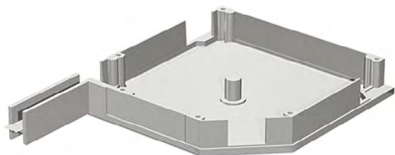
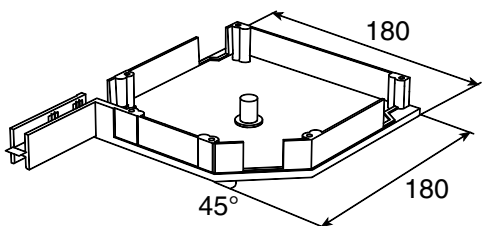
- ▶ Aluminium
- ▶ Weight of 1 pair, kg
- ▶ Standard pack, pair

0.675
10.00

- RB16501 — white
- RB16502 — brown
- RB16503 — grey
- RB16504 — beige
- RB16505 — green
- RB16506 — blue
- RB16507 — claret
- RB16508 — silver

It is used with the guides RG53MS, RG53BN, RG64, RG65MS, RG65BS.

END CAP RK180



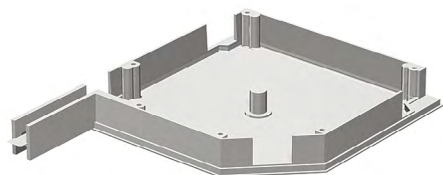
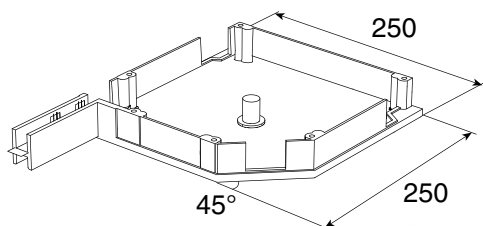
- ▶ Aluminium
- ▶ Weight of 1 pair, kg
- ▶ Standard pack, pair

0.76
10.00

- RB18001 — white
- RB18002 — brown
- RB18003 — grey
- RB18004 — beige
- RB18005 — green
- RB18006 — blue
- RB18007 — claret
- RB18008 — silver

It is used with the guides RG53MS, RG53BN, RG64, RG65MS, RG65BS.

END CAP RK205



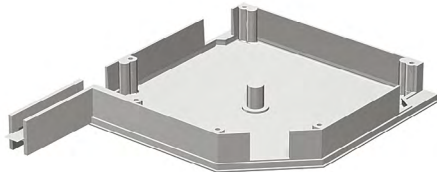
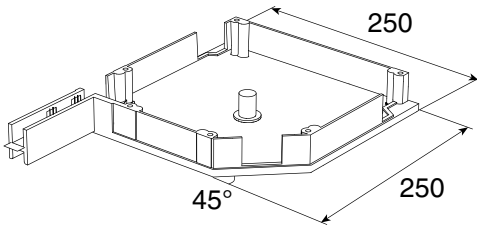
- ▶ Aluminium
- ▶ Weight of 1 pair, kg
- ▶ Standard pack, pair

1.05
10.00

- RK20501 — white
- RK20502 — brown
- RK20503 — grey
- RK20504 — beige
- RK20505 — green
- RK20506 — blue
- RK20507 — claret
- RK20508 — silver

It is used with the guides RG53MS, RG53BN, RG64, RG65MS, RG65BS.

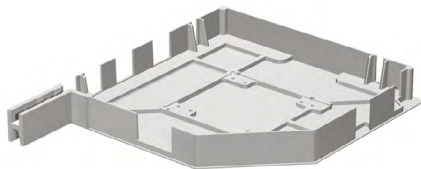
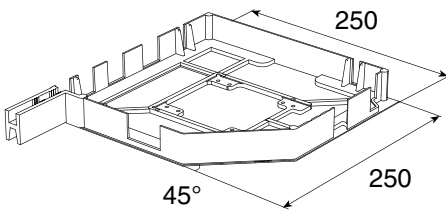
END CAP RK250S



▶ Aluminium		RK250S01 — white
▶ Weight of 1 pair, kg	1.05	RK250S02 — brown
▶ Standard pack, pair	10.00	RK250S03 — grey
		RK250S04 — beige
		RK250S05 — green
		RK250S06 — blue
		RK250S07 — claret
		RK250S08 — silver

It is used with the guides RG53MS, RG53BN, RG64, RG65MS, RG65BS.

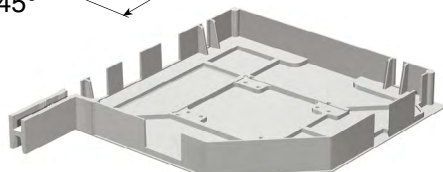
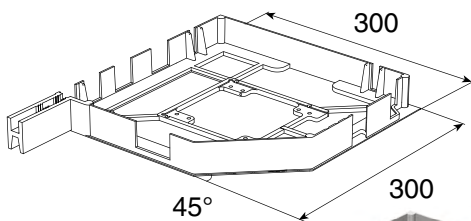
END CAP RK250



▶ Aluminium		RK25001 — white
▶ Weight of 1 pair, kg	1.388	RK25002 — brown
▶ Standard pack, pair	5.00	RK25003 — grey
		RK25004 — beige
		RK25005 — green
		RK25006 — blue
		RK25007 — claret
		RK25008 — silver

It is used with the guides RG70MS, RG70BS, RG90MS.

END CAP RK300



▶ Aluminium		RK30001 — white
▶ Weight of 1 pair, kg	2.50	RK30002 — brown
▶ Standard pack, pair	5.00	RK30003 — grey
		RK30004 — beige
		RK30005 — green
		RK30006 — blue
		RK30007 — claret
		RK30008 — silver

It is used with the guides RG70MS, RG70BS, RG90MS.

END CAPS FOR HIDDEN SHUTTER BOXES

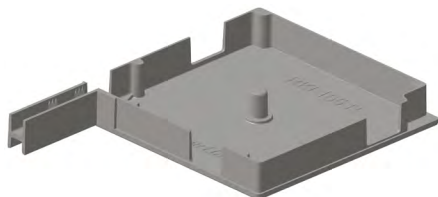
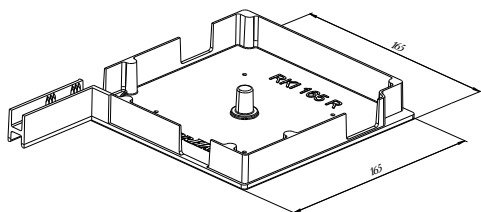
END CAP RKI165

- ▶ Aluminium
- ▶ Weight of 1 pair, kg
- ▶ Standard pack, pair

0.572
10.00

RKI165 — not painted

It is used with the guides RG53MS, RG65MS.



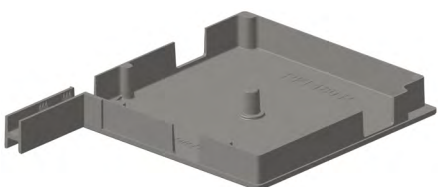
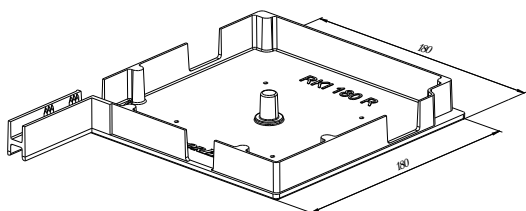
END CAP RKI180

- ▶ Aluminium
- ▶ Weight of 1 pair, kg
- ▶ Standard pack, pair

0.652
10.00

RKI180 — not painted

It is used with the guides RG53MS, RG65MS.



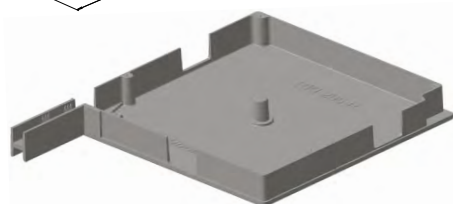
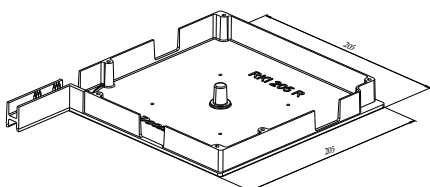
END CAP RKI205

- ▶ Aluminium
- ▶ Weight of 1 pair, kg
- ▶ Standard pack, pair

0.788
10.00

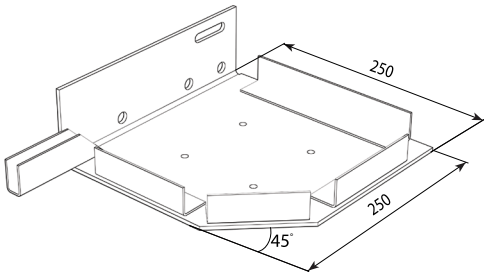
RKI205 — not painted

It is used with the guides RG53MS, RG65MS.



STEEL END CAPS 45°

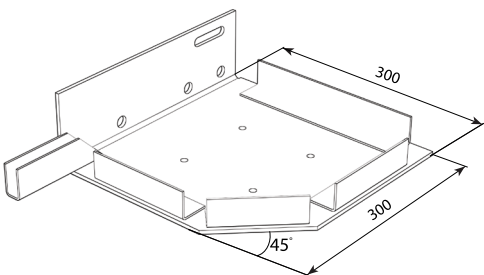
SAFETY PLATE RKS250



▶ Steel		RRKS25001 — white
▶ Weight of 1 pair, kg	6.00	RKS25002 — brown
▶ Standard pack, pair	5.00	RKS25003 — grey
		RKS25004 — beige
		RKS25005 — green
		RKS25006 — (blue
		RKS25007 — claret
		RKS25008 — silver

It is used with the guides RG70MS, RG70BS, RG90MS.

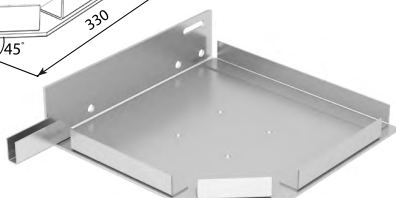
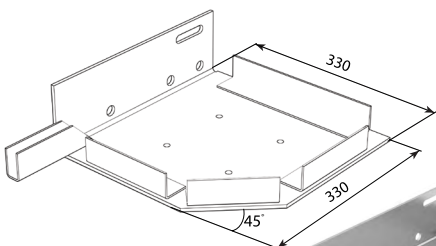
SAFETY PLATE RSK300



▶ Steel		RSK30001 — white
▶ Weight of 1 pair, kg	8.02	RSK30002 — brown
▶ Standard pack, pair	5.00	RSK30003 — grey
		RSK30004 — beige

It is used with the guides RG70MS, RG70BS, RG90MS.

SAFETY PLATE RSK330



▶ Steel		RSK33001 — white
▶ Weight of 1 pair, kg	9.54	RSK33002 — brown
▶ Standard pack, pair	5.00	RSK33003 — grey
		RSK33004 — beige

It is used with the guides RG70MS, RG70BS, RG90MS.

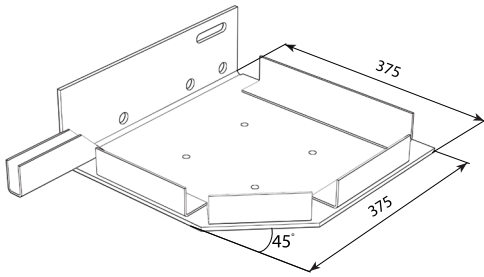
END CAP RK375

- ▶ Steel
- ▶ Weight of 1 pair, kg
- ▶ Standard pack, pair

11.740
1.00

RK37501 — white
 RK37502 — brown
 RK37503 — grey
 RK37504 — beige
 RK37505 — green
 RK37506 — blue
 RK37507 — claret
 RK37508 — silver

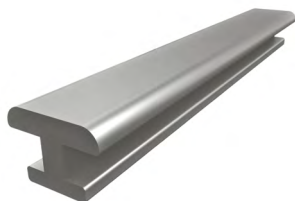
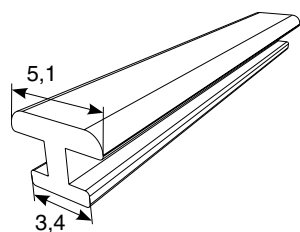
It is used with the guides RG70MS, RG70BS, RG90MS.



SEALS AND BRUSH STRIPS

SEALS

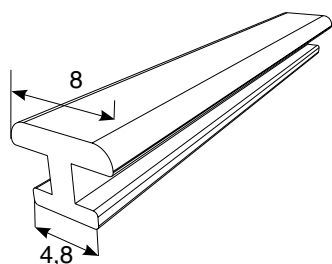
SEAL UP10



▶ PVC (black)		UP10
▶ Weight of 1 running meter, kg	0.0145	
▶ Standard pack, m	500.00	

For RA42E end profile.

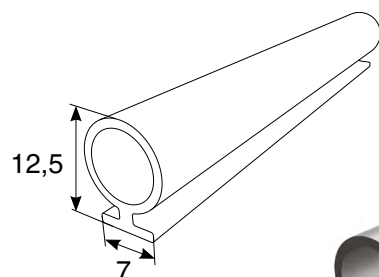
SEAL UP17



▶ PVC (black)		UP17
▶ Weight of 1 running meter, kg	0.04	
▶ Standard pack, m	500.00	

For RA45EN end profile and RG65BS, RG70BS guide rails.

SEAL UP13



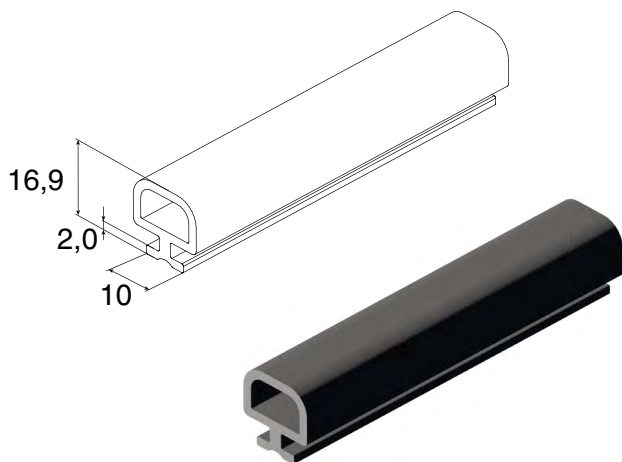
▶ PVC (black)		UP13
▶ Weight of 1 running meter, kg	0.06	
▶ Standard pack, m	100.00	

For RA50EM end profile.

SEAL UP3

▶ TEP (thermoelastoplast, black)		UP3
▶ Weight of 1 running meter, kg	0.193	
▶ Standard pack, m	100.00	

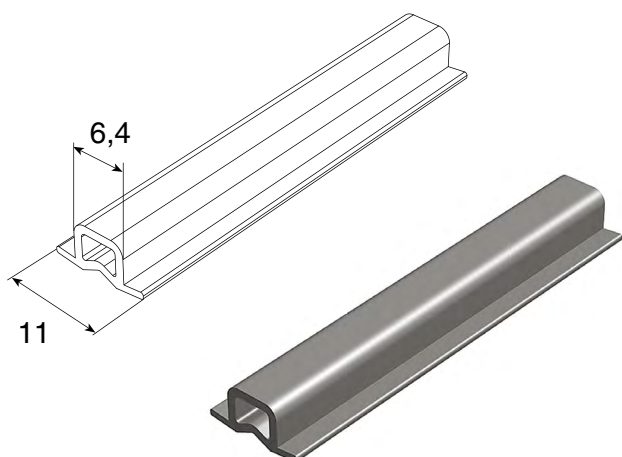
For RA77EM, RA77KN end profile.



SEAL UP2

▶ PVC (black)		UP2
▶ Weight of 1 running meter, kg	0.035	
▶ Standard pack, m	500.00	

For RG90M, RG90MS guide rail.



BRUSH STRIPS

BRUSH STRIP UP7

▶ PVC (black)		UP7
▶ Weight of 1 running meter, kg	0.005	
▶ Standard pack, m	500.00	

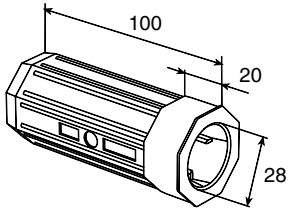
For RG53M, RG53MS, RG64, RG65M, RG65MS, RG70MS guide rails.



ACCESSORIES

UNIVERSAL CAPSULES

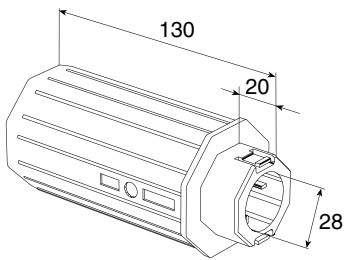
UNIVERSAL CAPSULE KP40



▶ Plastic ABS		KP40
▶ Standard pack, pcs.	100.00	

For 40 mm shaft. Can be used with BR28 bearing, with H140, H155, H170 pulley, with RHU adapter for RW33, RW35, RW35B reduction gear.

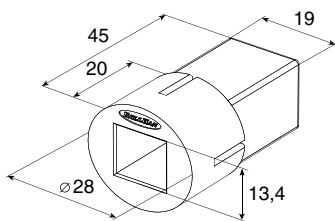
UNIVERSAL CAPSULE KP60



▶ Plastic ABS		KP60
▶ Standard pack, pcs.	100.00	

For 60 mm shaft. Can be used with BR28 bearing, with H140, H155, H170 pulley, with RHU adapter for RW33, RW35, RW35B reduction gear.

ADAPTER RHU

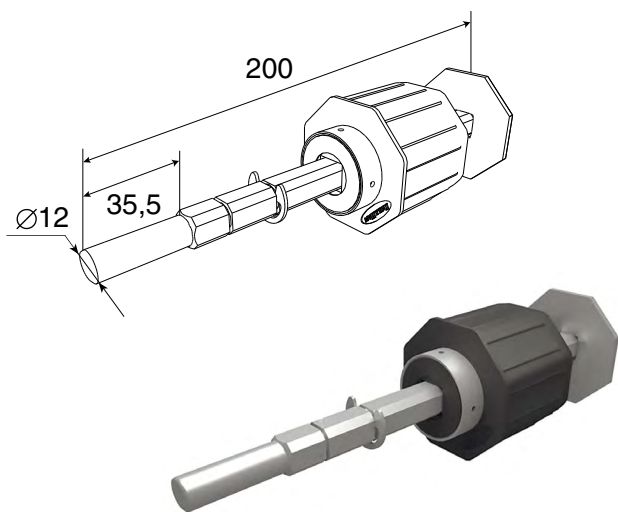


▶ Plastic ABS		RHU
▶ Standard pack, pcs.	100.00	

It is used with KP40, KP60 universal capsules. For RW33, RW35, RW35B reduction gear.

ADJUSTABLE CAPSULES

ADJUSTABLE CAPSULES KPU60, KPU70



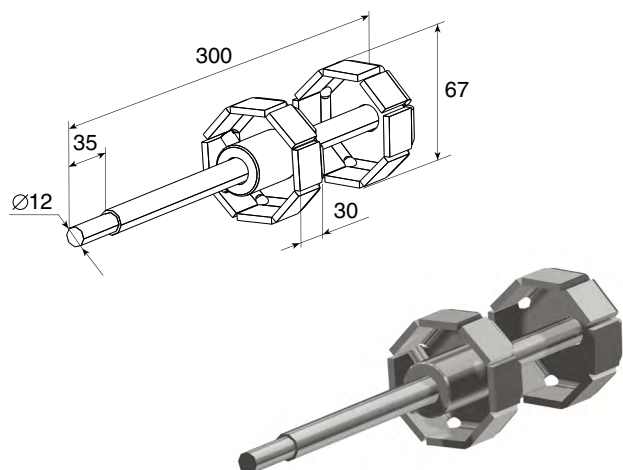
- ▶ Plastic ABS
- ▶ Standard pack, pcs.

10.00

KPU60
KPU70

KPU60 — for 60 mm shaft; KPU70 — for 70 mm shaft. It is used with bearing BR42.

ADJUSTABLE CAPSULE KPU70S



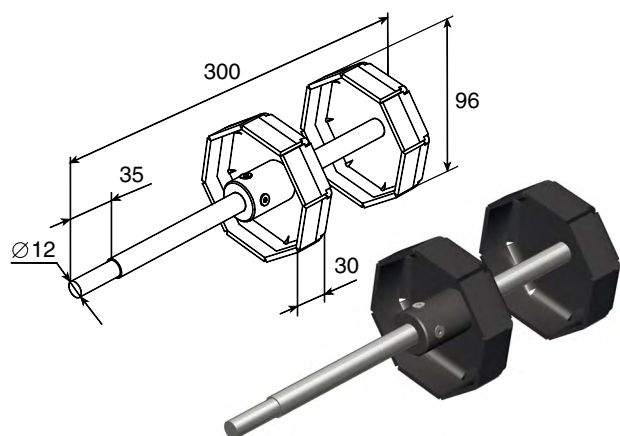
- ▶ Steel
- ▶ Standard pack, pcs.

10.00

KPU70S

KPU70S — for 70 mm shaft. It is used with Support with bearing BS32 and BS42.

ADJUSTABLE CAPSULE KPU102



- ▶ Steel
- ▶ Standard pack, pcs.

4.00

KPU102

KPU102 — for 102 mm shaft. It is used with Support with bearing BS32.

END LOCKS

END LOCK SL39



- ▶ Polypropylene (black)
- ▶ Standard pack, pcs.

1 000

SL39

For profiles RH39.

END LOCK SL41N



- ▶ Polypropylene (black)
- ▶ Standard pack, pcs.

1 000

SL41N

For profiles RH41N, RH41PN.

END LOCK SL45M



- ▶ Polypropylene (black)
- ▶ Standard pack, pcs.

1 000

SL45M

For profiles RH45N, RH45PN.

END LOCK SL58M



- ▶ Polypropylene (black)
- ▶ Standard pack, pcs.

1 000

SL58M

For profiles RH58N, RH58PN.

END LOCKS SLA45 AND SLA58 FOR AUTOMATED ASSEMBLY LINES

▶ Polypropylene (black)	1 000	SLA45
▶ Standard pack, pcs.		SLA58

SLA45 — for profiles RH45M, RH45PN; SLA58 — for profiles RH58M, RH45PN.



END LOCK SL77

▶ Polypropylene (black)	1 000	SL77
▶ Standard pack, pcs.		

For profile RH77M.



END LOCKS SLE45M AND SLE58M

▶ Polypropylene (black)	1 000	SLE45M
▶ Standard pack, pcs.		SLE58M

SLE45M — for profile RHE45M; SLE58M — for profile RHE58M.



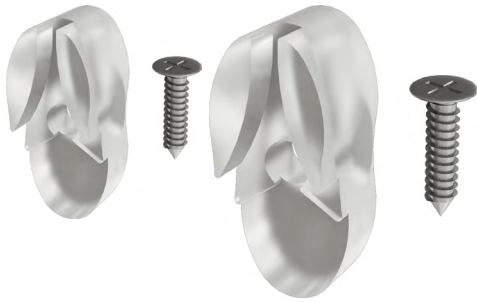
END LOCKS SLE58

▶ Polypropylene (black)	1 000	SLE58
▶ Standard pack, pcs.		

SLE58 — for profile RHE58.



END LOCKS SLE56 AND SLE84



- ▶ Polypropylene (black)
- ▶ Standard pack, pcs.

1 000

SLE56
SLE84

SLE56 — for RHE56M, RHE56GM, RHE30SM profiles, supplied with tapping screws 3,0x16; SLE84 — for RHE84M, RHE84GM, RHE44SM profiles, supplied with tapping screws 4,2x16.

END LOCK SL84



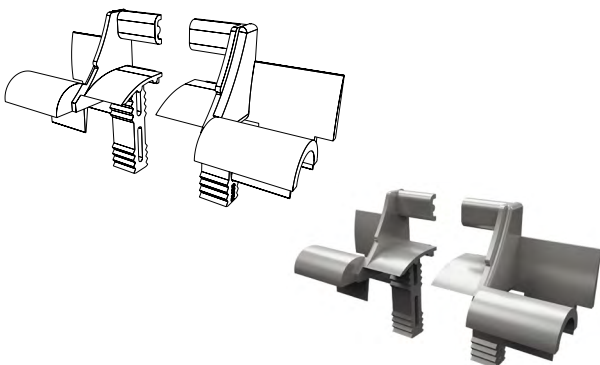
- ▶ Polypropylene (black)
- ▶ Standard pack, pcs.

1 000

SL84

For profile RHE84M.

ENTRY GUIDE RU45 AND RU65



- ▶ Polypropylene
- ▶ Standard pack, pair

100

RU4501 — white
RU4502 — brown
RU6501 — white
RU6502 — brown

RU45 — for RH39N, RH39PN, RH41N, RH41PN, RH45N, RH45PN, RHE45M profiles;
RU65 — for RH58N, RH58PN, RHE58M, RHE56M, RHE56GM profiles.



PLANTS

CZECH REPUBLIC, KADAN



CZECH REPUBLIC, KADAN

432 01, Královský Vrch 2018
Tel.: +420 474 319 111
E-mail: kadan@doorhan.com

CHINA, SUZHOU



CHINA, SUZHOU

Gucun Road 188,
Sukou District,
Suzhou, 215164
Tel.: +86 (512) 6631 6111
Fax: +86 (512) 6631 6106
E-mail: suzhou@doorhan.com